

Thank you for choosing CYmodel  
Global : [www.cymodel.com](http://www.cymodel.com)  
Australia : [www.austars-model.com](http://www.austars-model.com)  
Italia : [www.biellaexpress.com](http://www.biellaexpress.com)

# Fokker D-VIII

Item Nr: CY8016B



## Instruction Manual

Before commencing assembly, please read these instructions thoroughly.

**ALMOST - READY - TO - FLY**



Warning!

### SAFETY PRECAUTIONS

This radio control model is not a toy!


- First-time builders should seek advice from people having building experience in order to assemble the model correctly and to produce its performance to full extent.
- Assemble this kit only in places out of childrens reach!
- Take enough safety precautions prior to operating this model. You are responsible for this model's assembly and safe operation!
- Always keep this instruction manual ready at hand for quick reference, even after completing the assembly.
- Could cause serious injury or even death

### SPECIFICATION

Wing Span: 2800 mm (110 in)  
Wing Area: 119.7 dm<sup>2</sup> (1856 sq.in)  
Fuselage Length: 2100 mm (82.5 in)  
Engine : 80-100cc gas engine  
Radio : 4 channels ,6 servos

# REQUIRED FOR OPERATION (Purchase separately)

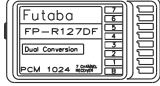
- 1** A minimum 4channel radio for airplanes (with 6servos).  
And dry batteries.

 **CAUTION:** Only use a minimum 4channel radio for airplanes! (No other radio may be used!)

A minimum 4 channel transmitter for airplanes.



12 AA-size Batteries



receiver



remote control

For handing the radio properly, refer to its instruction manual.

- 2** Battery (need 2)  Switch (need 2) 

- 3** Servo(need 6 servos) 

- 4** Engine and Muffler  
Model Airplane engine:80-100cc gas engine



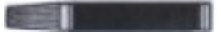



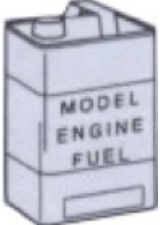
Muffler



Muffler

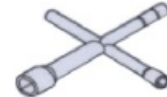


- 5** Glue    
Epoxy Glue   
Instant glue

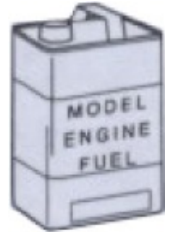
- 6** required for engine starting  **WARNING:** Normal gasoline cannot be used with glow engines.   
Glow engine fuel only.



Fuel Pump

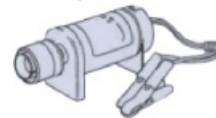


Plug Wrench



- 7** Silicone Tube  Fuel Filter 


- 8** Other equipment for enhancing airplane operation & performance



Engine Starter



12V Battery (for starter)

- 9** Purchase a propeller that will match your engine   
20X10----22X10

# TOOLS REQUIRED ( Purchase separately)

Sharp Hobby Knife



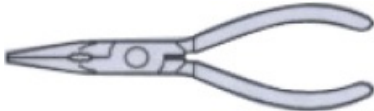
Phillips Screw Driver



Awl



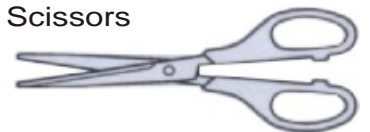
Needle Nose Pliers



Wire Cutters





Scissors




# BEFORE YOU BEGIN


- 1 . Read through the manual before you begin ,so you will have an overall idea of what to do.
- 2 . Check all parts .if you find any defective or missing parts .contact your local dealer.
- 3 Symbols used throughout this instruction manual,comprise.


 Apply epoxy glue.

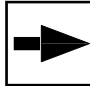
 Drill holes with the specified Diameter(here:2mm)

 Must be purchased separately!


 **Warning!**


 Apply instant glue (CA glue,super glue).


 Ensure smooth non-binding movement while assembling.

 Pay close attention here!

Do not overlook this symbol.

 Assemble left and right Sides the same way.

 Cut off shaded portion.

 Cut off excess.



## Accessory list for this page.

2.6X12mm Tp screw

----- 8

2X10mm screw

----- 4

2.5X85mm rod

----- 2

4X35mm screw

----- 4

4mm Washer

----- 4

Hinge

----- 10


 HORN ----- 2

 ----- 2

4X40 Screw ----- 2

Rod adjuster ----- 4

Connecting rod head ----- 2

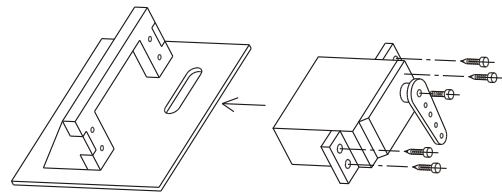
 3X35mm screw ----- 6

 ----- 4

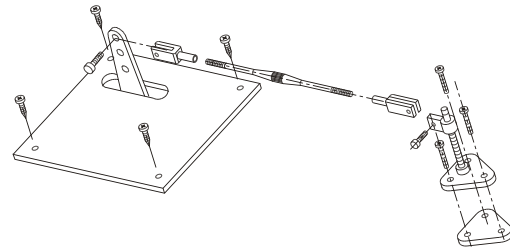
# 3

## Install the aileron servo

L/R



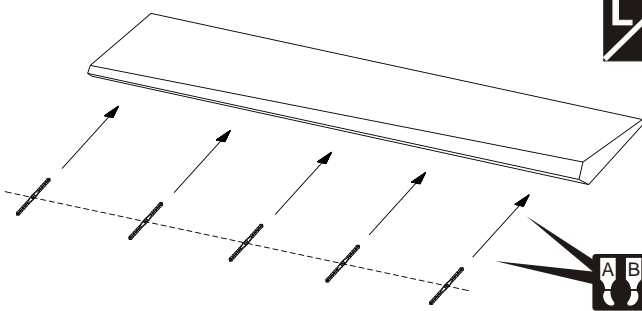
L/R



# 1

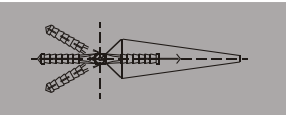
## Install the aileron

L/R



Make sure hinges are mounted in the same line

A/B

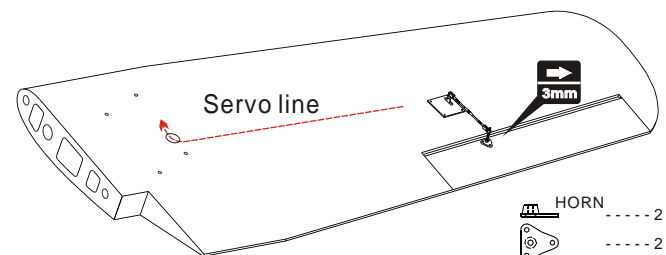


Hinge ----- 10

# 4

## Install the aileron servo

L/R




 HORN ----- 2

 ----- 2

4X40 Screw ----- 2

Rod adjuster ----- 4

Connecting rod head ----- 2

 3X35mm screw ----- 6

2.6X12mm Tp screw ----- 8

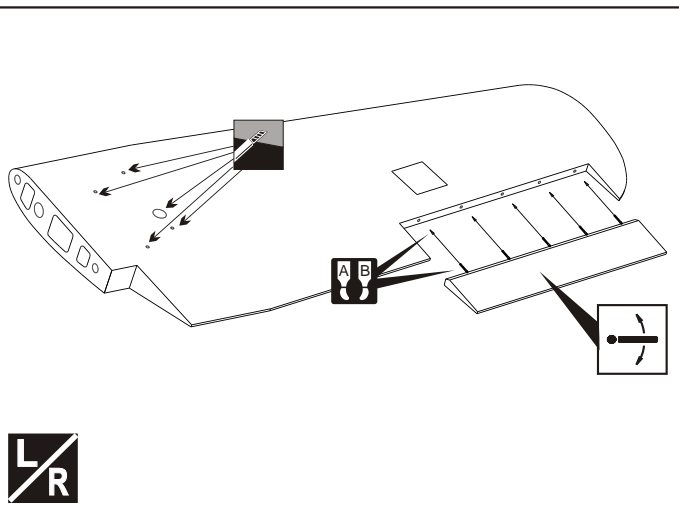
2X10mm screw ----- 4

 ----- 4

2.5X85mm rod ----- 2

# 2

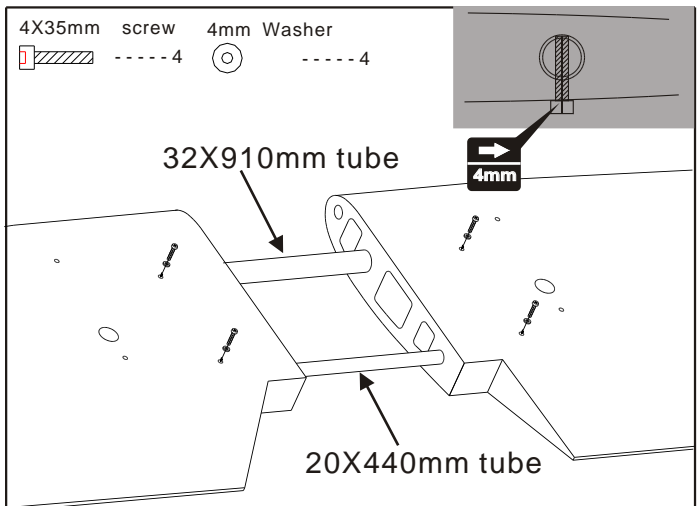
## Install the aileron



L/R

# 5

## Main wing



4X35mm screw ----- 4

4mm Washer ----- 4

32X910mm tube

20X440mm tube



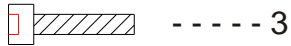
## Accessory list for this page.

4X25mm screw



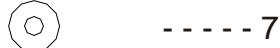
----- 4

4X35mm screw



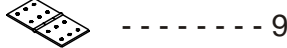
----- 3

4mm Washer



----- 7

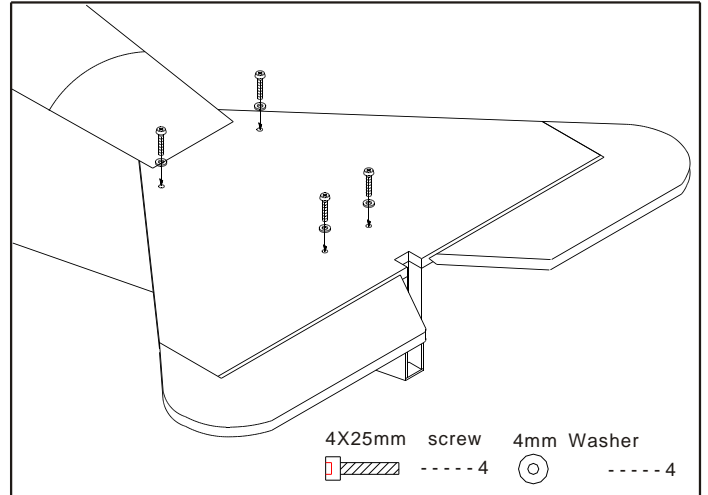
Hinge



----- 9

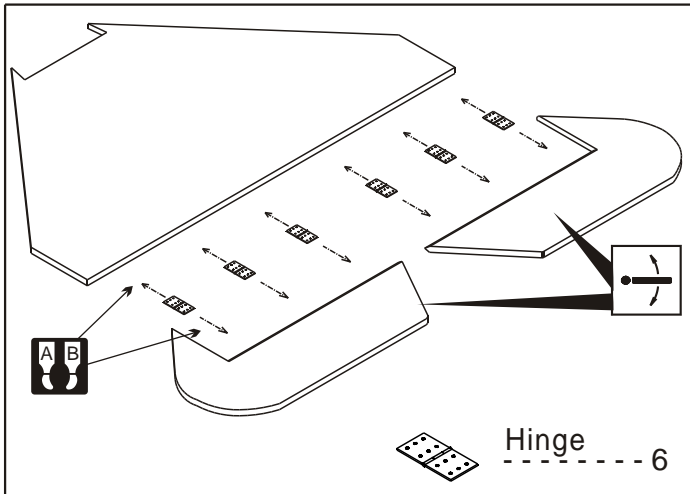
# 8

## Main wing & Horizontal/Vertical tail

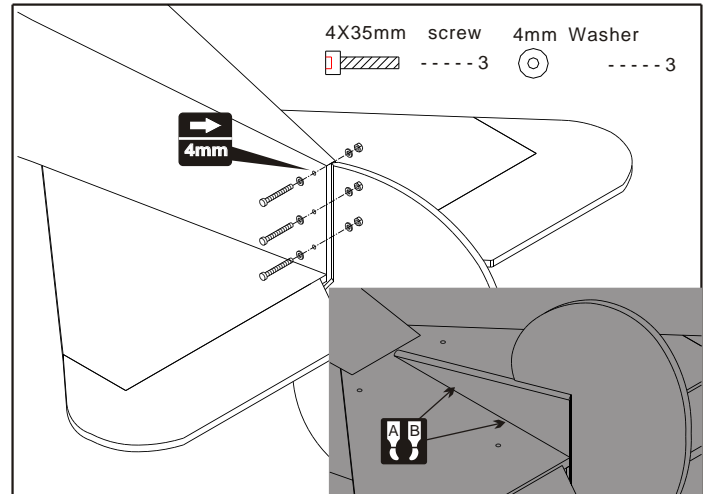


# 6

## Install the elevator

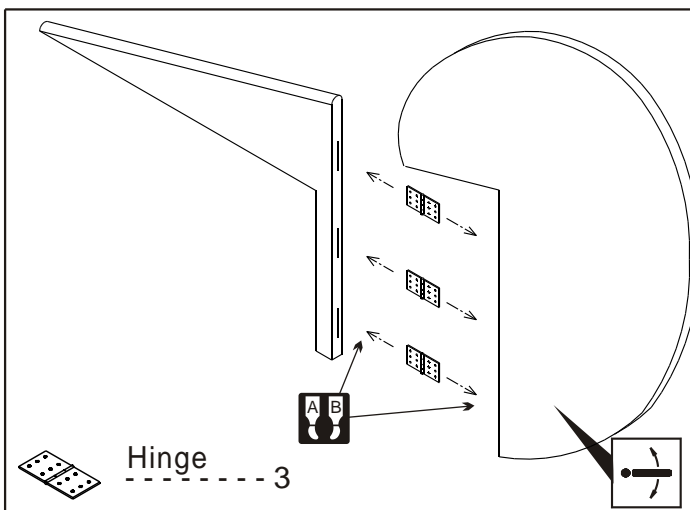


# 9



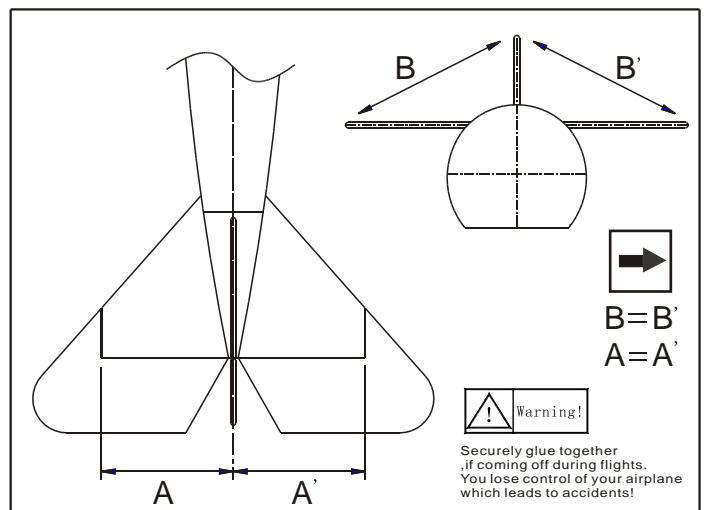
# 7

## Install the rudder




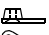
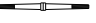
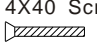
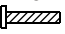
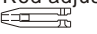
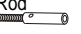
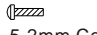
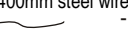






# 10

## Horizontal/Vertical tail

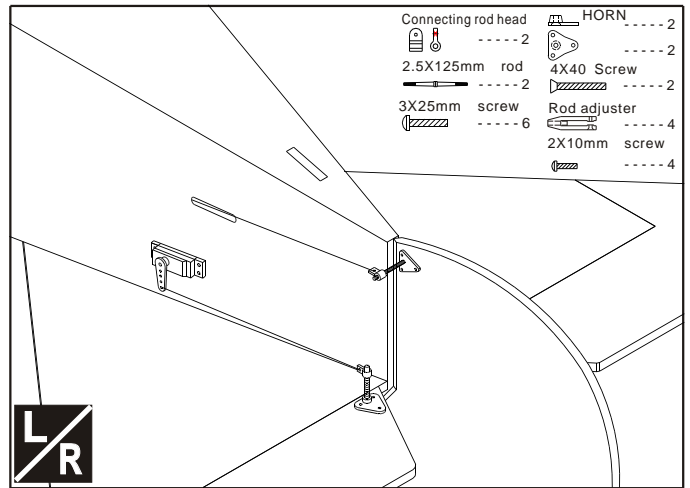




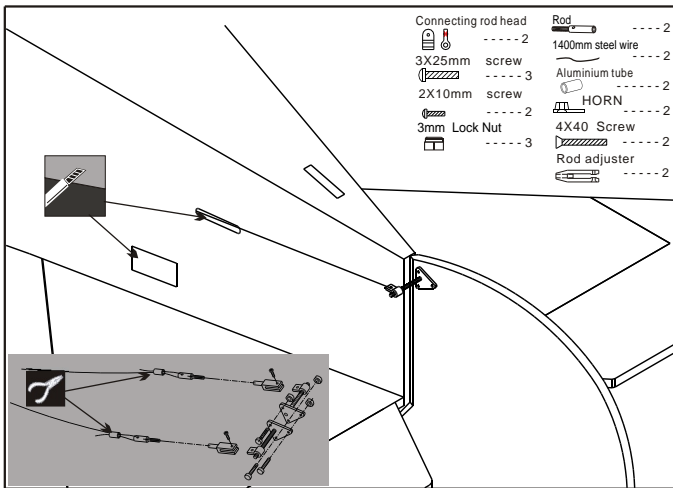
## Accessory list for this page.

Connecting rod head  ----- 4	 HORN ----- 4
2.5X125mm rod  ----- 2	4X40 Screw  ----- 4
3X25mm screw  ----- 9	Rod adjuster  ----- 8
Rod  ----- 4	2X10mm screw  ----- 8
1400mm steel wire  ----- 2	5.2mm Collar  ----- 4
Aluminium tube  ----- 4	3X3mm screw  ----- 4
3mm Lock Nut  ----- 3	Aluminum plate  ----- 6
3X20mm Tp screw  ----- 12	

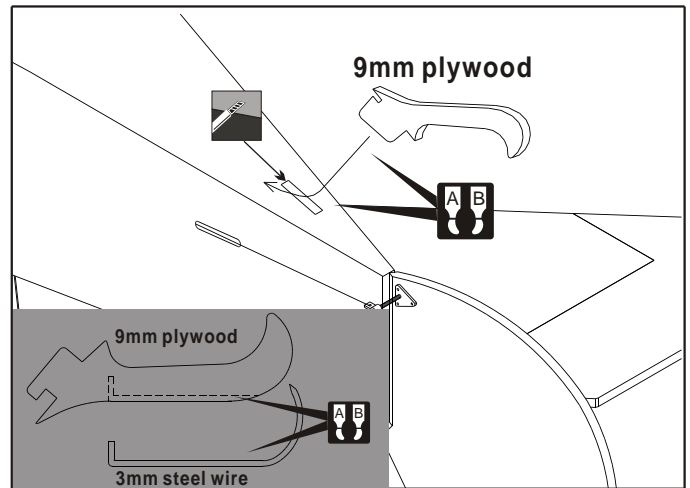
## 13 Install the elevator servo



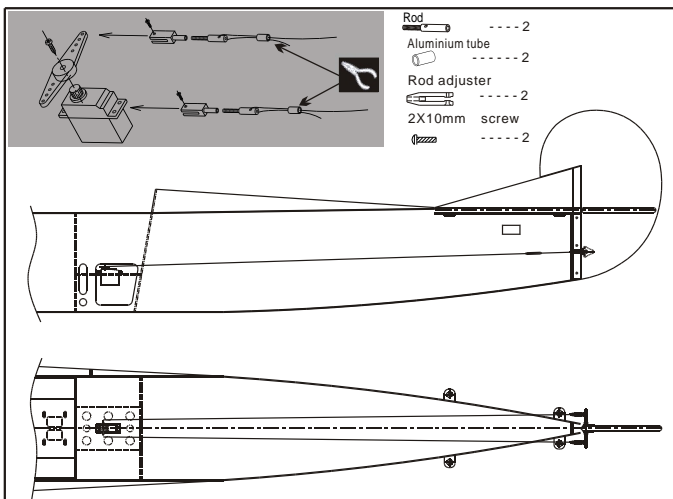
## 11 Install the rudder servo



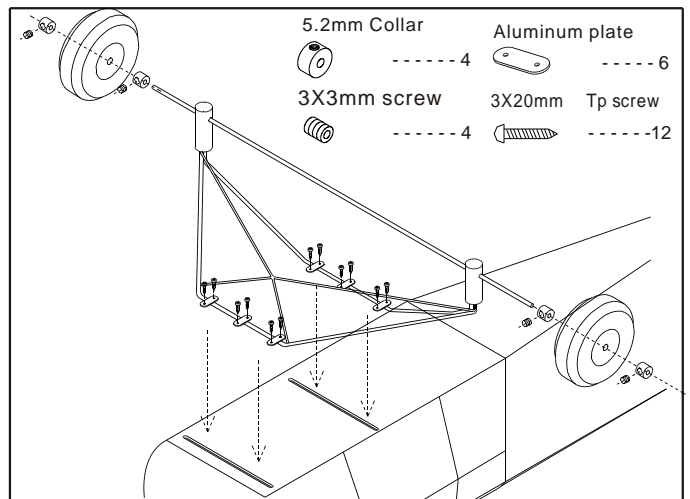
## 14 Install the tail pry



## 12 Install the rudder servo




## 15 Install the main landing gear





## Accessory list for this page.


Pressure plate

 ----- 3

3X20mm Tp screw

 ----- 12

Aluminum plate

 ----- 2

4X35mm screw

 ----- 14


4X55mm screw

 ----- 2

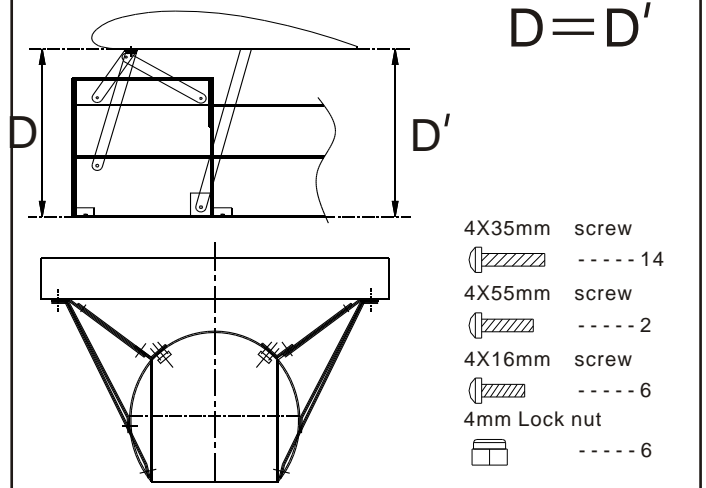
4X16mm screw

 ----- 6

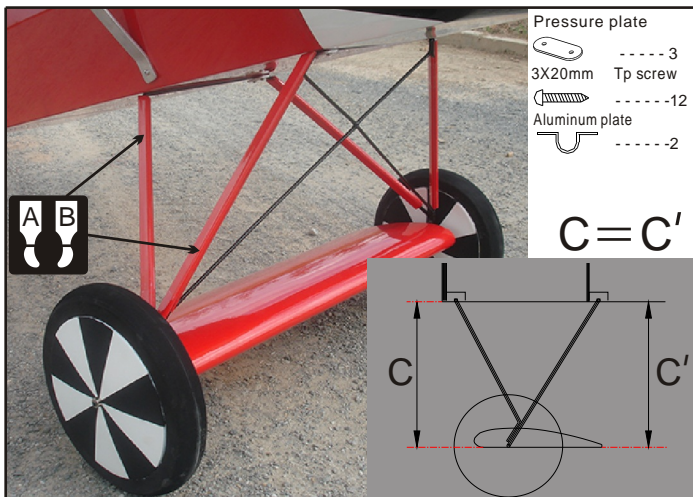
4mm Lock nut

 ----- 6

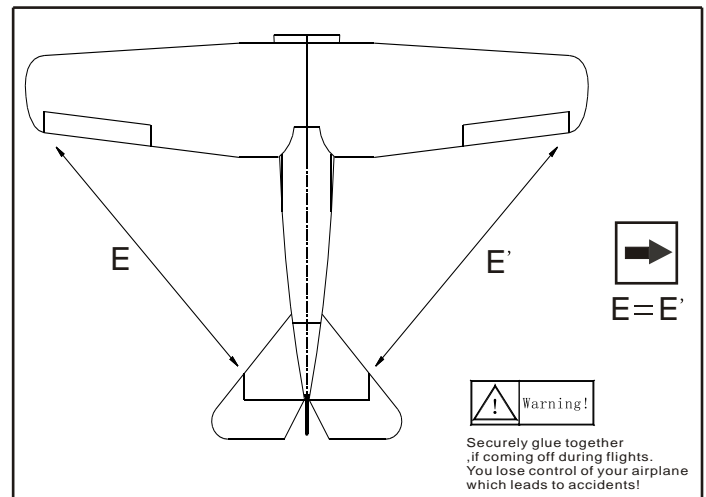
## 18 Install the wing support



## 16 Install the main landing gear



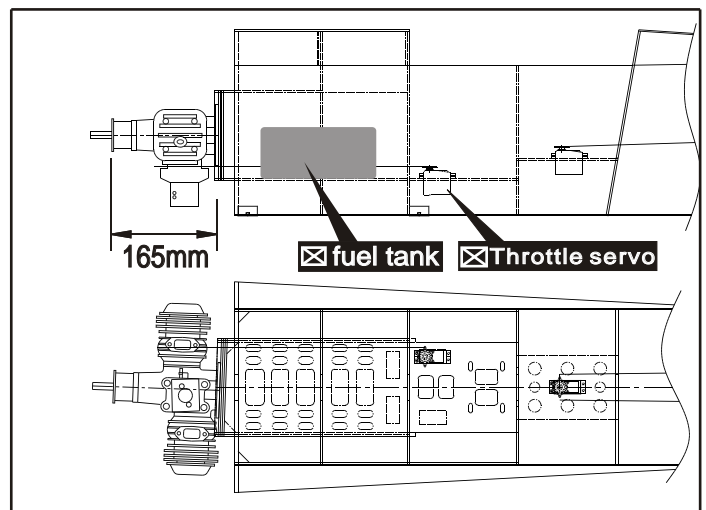
## 19 Main wing & Horizontal/Vertical tail



## 17 Install the wing support



## 20 Install the engine (80-100cc gas engine)

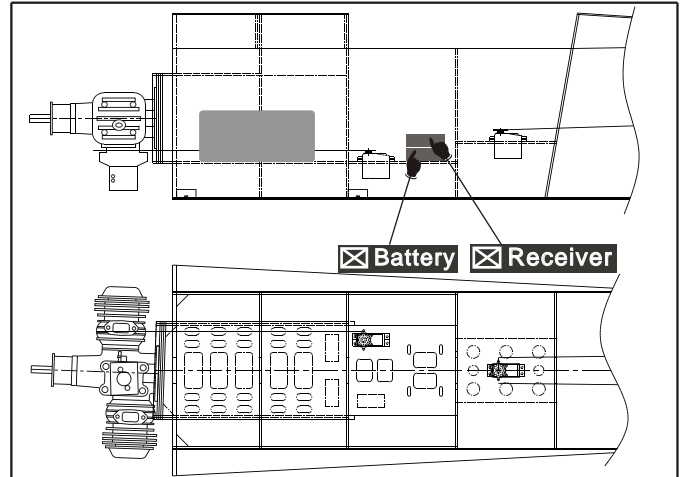




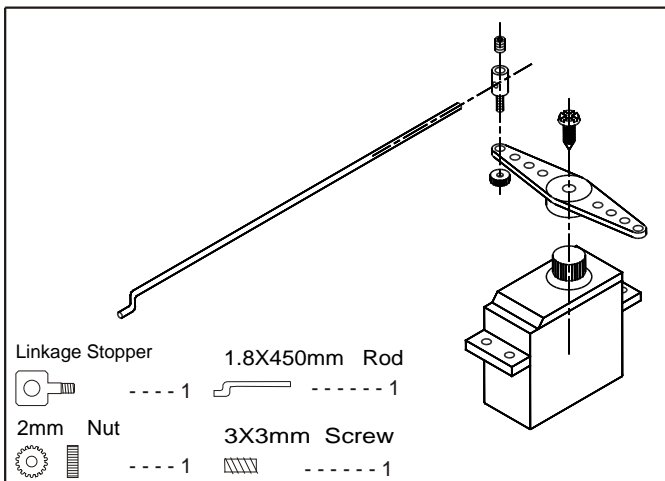
## Accessory list for this page.

3X25mm Screw	Linkage Stopper
---- 2	---- 1
3X16mm Screw	2mm Nut
---- 5	---- 1
3mm rubber band	1.8X450mm Rod
---- 7	---- 1
3mm washer	3X3mm Screw
---- 7	---- 1

## 23 Radio Equipment



## 21 Install the throttle servo



Linkage Stopper	1.8X450mm Rod
---- 1	---- 1
2mm Nut	3X3mm Screw
---- 1	---- 1

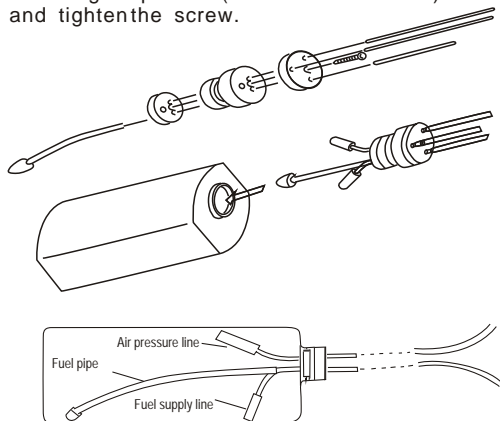
## 21 Install the canopy



3X25mm Screw	3mm rubber band	3mm washer
---- 2	---- 2	---- 2

## 22 Assembly of the full tank

After confirming the position (see front of fuel tank). Insert and tighten the screw.



## 25 Install the cowling



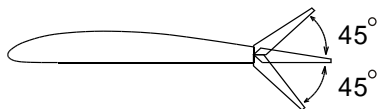
3X16mm Screw
---- 5
3mm rubber band
---- 5
3mm washer
---- 5

## 26 Adjustment.

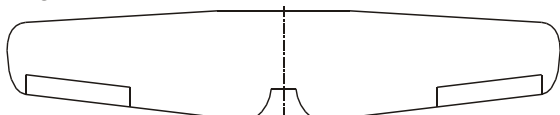
Adjust the travel of each control surface to the values in the diagrams.  
These values fit general flight capabilities.  
Readjust according to your needs and flight level.

### AILERON

Side view



Top view

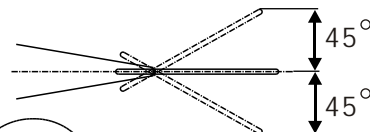


## 27 Adjustment

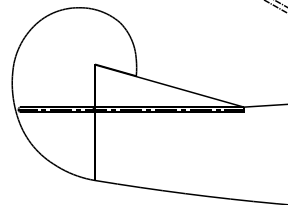
Adjust the travel of each control surface to the values in the diagrams.  
These values fit general flight capabilities.  
Readjust according to your needs and flight level.

### Rudder

Side view



Top view

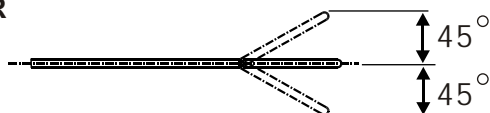


## 28 Adjustment.

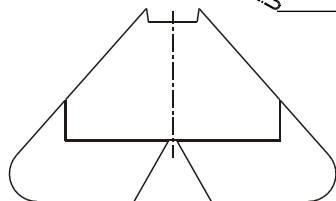
Adjust the travel of each control surface to the values in the diagrams.  
These values fit general flight capabilities.  
Readjust according to your needs and flight level.

### ELEVATOR

Side view

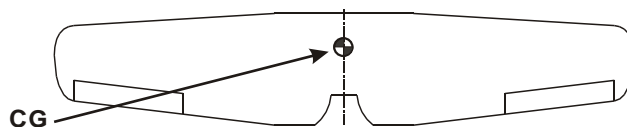
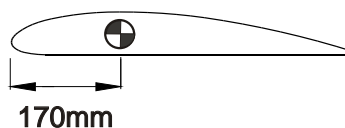


Top view



## 29 Adjustment.

Never fly before checking the Cg' s required position.  
In order to obtain the CG specified ,reposition the receiver and battery.



3/4 - ⚠  
Warning!

**NEVER fly the model without well balancing.**