

Before commencing assembly, please read these instructions thoroughly.

ALMOST - READY - TO - FLY



Bucker Jungmann



Warning!

SAFETY PRECAUTIONS

This radio control model is not a toy!


- First-time builders should seek advice from people having building experience in order to assemble the model correctly and to produce its performance to full extent.
- Assemble this kit only in places out of childrens reach!
- Take enough safety precautions prior to operating this model. You are responsible for this model's assembly and safe operation!
- Always keep this instruction manual ready at hand for quick reference, even after completing the assembly.
- Could cause serious injury or even death

SPECIFICATION

Wing Span: 2500 mm (98.4 in)
Wing Area: 113.2 dm² (1755 sq.in)
Fuselage Length: 2230 mm (87.8 in)
Engine : 50cc gas engine
Radio : 4 channels ,9 servos

REQUIRED FOR OPERATION (Purchase separately)

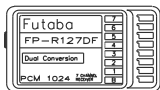
- 1** A minimum 4channel radio for airplanes (with 9servos).
And dry batteries.

 **CAUTION:** Only use a minimum 4channel radio for airplanes! (No other radio may be used!)

A minimum 4 channel transmitter for airplanes.



12 AA-size Batteries




receiver



remote control

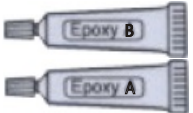

For handing the radio properly, refer to its instruction manual.


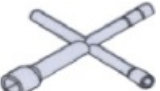
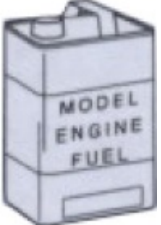

- 2** Battery (need 2)  Switch (need 2) 



- 3** Servo(need 9 servos) 

- 4** Engine and Muffler
Model Airplane engine:50cc gas engine




- 5** Glue  
Epoxy Glue Instant glue

- 6** required for engine starting   
 **WARNING:** Normal gasoline cannot be used with glow engines. Glow engine fuel only.

- 7** Silicone Tube  Fuel Filter 

- 8** Other equipment for enhancing airplane operation & performance
 
Engine Starter 12V Battery (for starter)

- 9** Purchase a propeller that will match your engine

20X10----22X10

TOOLS REQUIRED (Purchase separately)

Sharp Hobby Knife



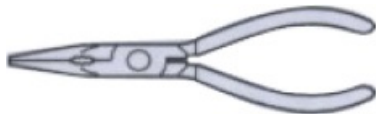
Phillips Screw Driver



Awl



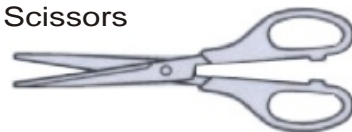
Needle Nose Pliers



Wire Cutters





Scissors




BEFORE YOU BEGIN


- 1 . Read through the manual before you begin ,so you will have an overall idea of what to do.
- 2 . Check all parts .if you find any defective or missing parts .contact your local dealer.
- 3 Symbols used throughout this instruction manual,comprise.


 Apply epoxy glue.

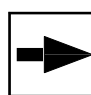
 Drill holes with the specified Diameter(here:2mm)

 Must be purchased separately!


 **Warning!**

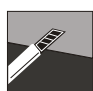
 Apply instant glue (CA glue,super glue).


 Ensure smooth non-binding movement while assembling.

 Pay close attention here!

Do not overlook this symbol.

 Assemble left and right Sides the same way.

 Cut off shaded portion.

 Cut off excess.

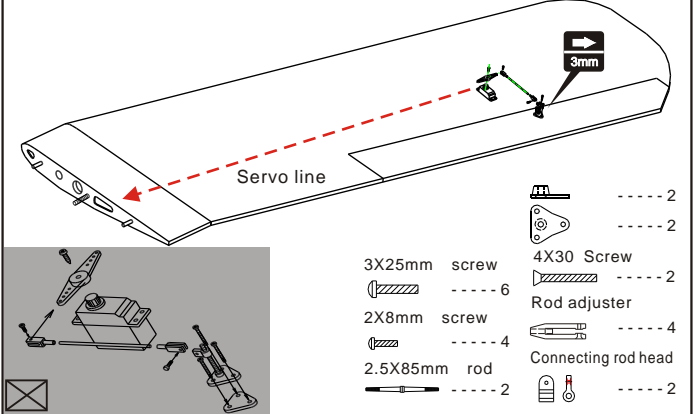


Accessory list for this page.

	HORN	----- 4		3X25mm screw	----- 12
	4X30 Screw	----- 4		2X8mm screw	----- 8
	Rod adjuster	----- 4		2.5X85mm rod	----- 4
	Hinge	----- 20		4x16mm screw	----- 2
	Connecting rod head	----- 4		4mm Washer	----- 2

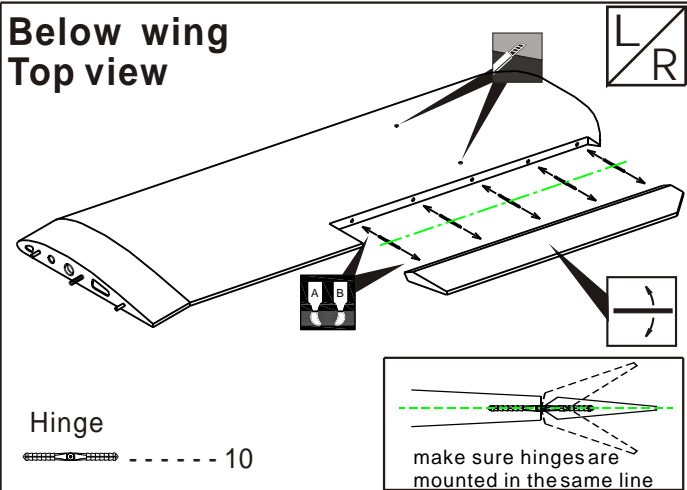
3 Install the aileron servo

Below wing Bottom view



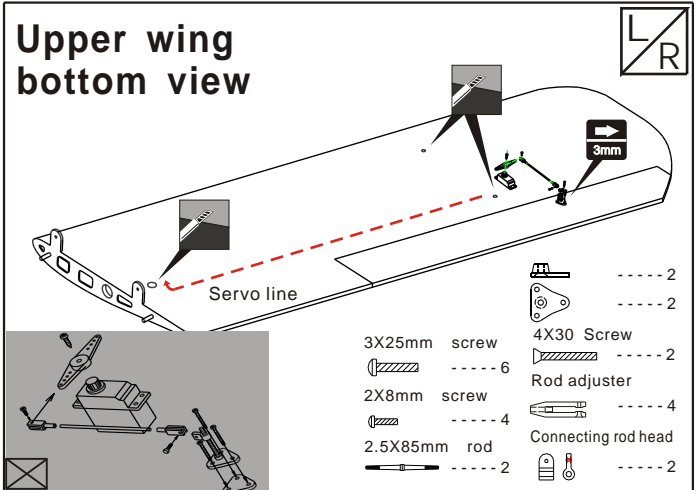
1 Install the aileron

Below wing Top view



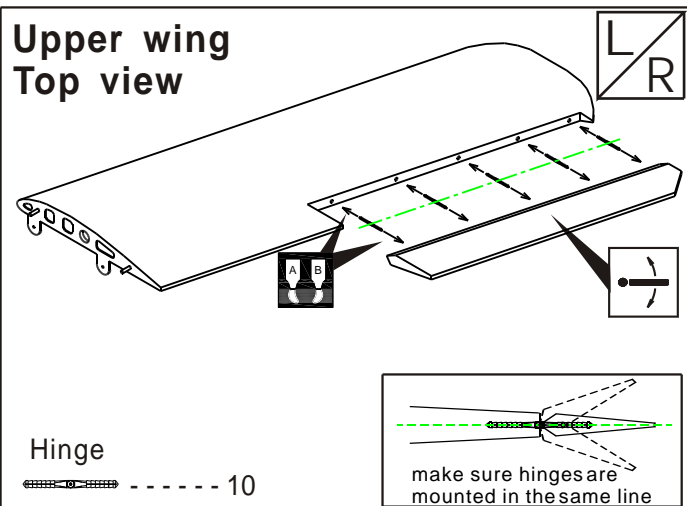
4 Install the under wing

Upper wing bottom view

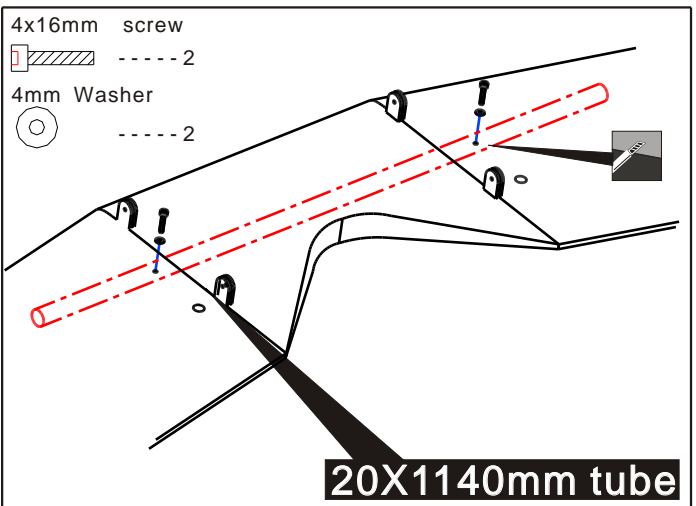


2 Install the aileron

Upper wing Top view



5 Top wing





Accessory list for this page.

4x16mm screw



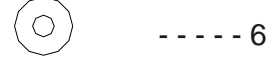
----- 2

3x12mm screw



----- 4

4mm Washer



----- 6

8mm nylon Nut



----- 2

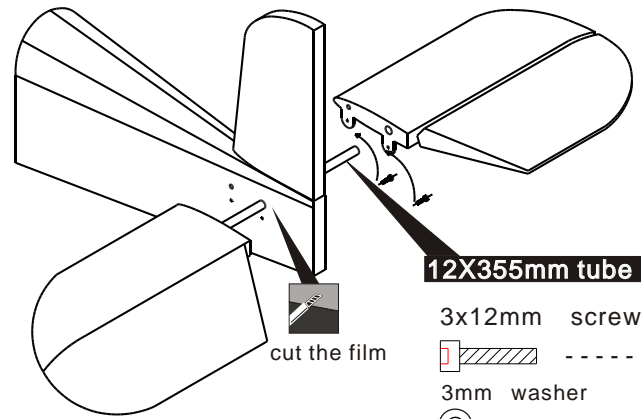
Hinge



----- 9

8

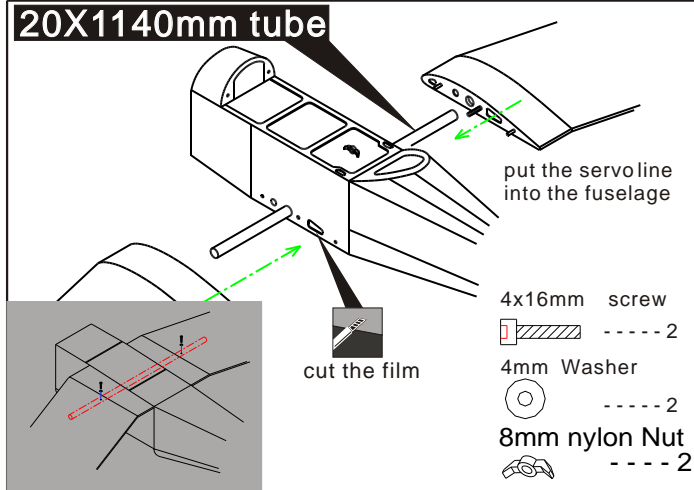
Install the elevator



6

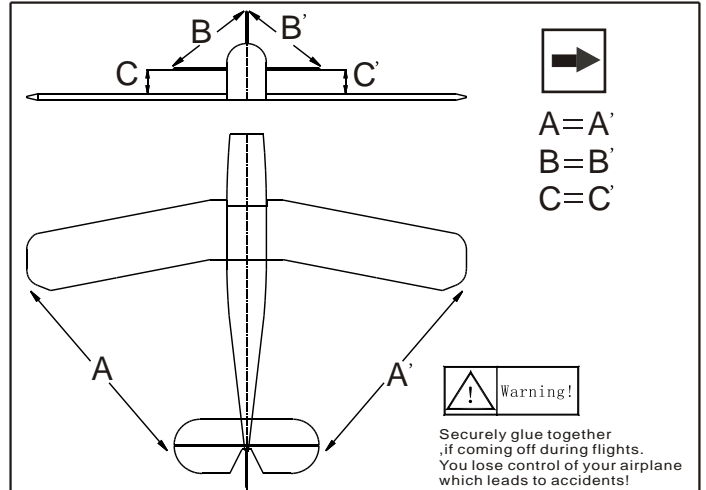
Top wing

20X1140mm tube



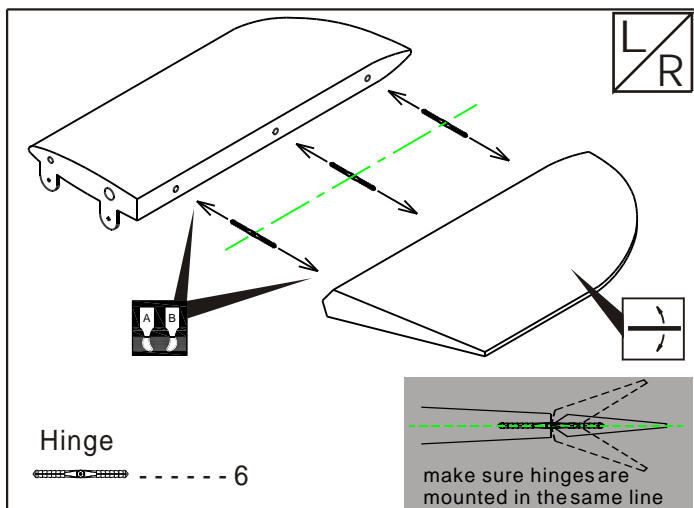
9

Horizontal/Vertical tail



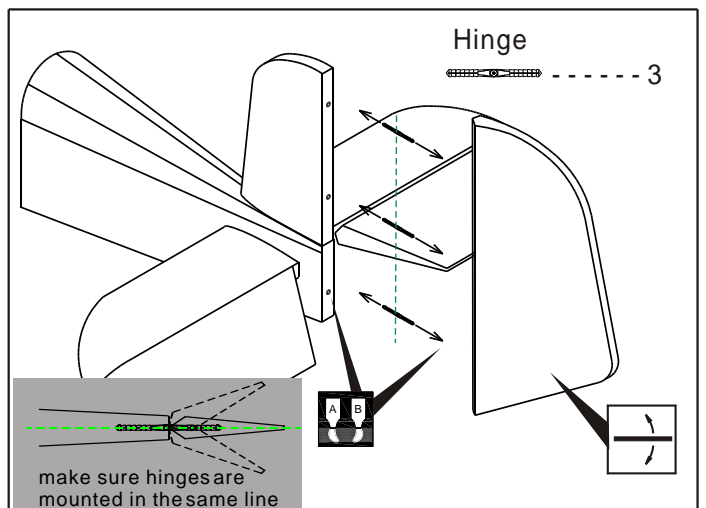
7

Install the elevator














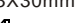




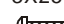
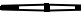
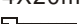
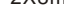
10

Install the rudder

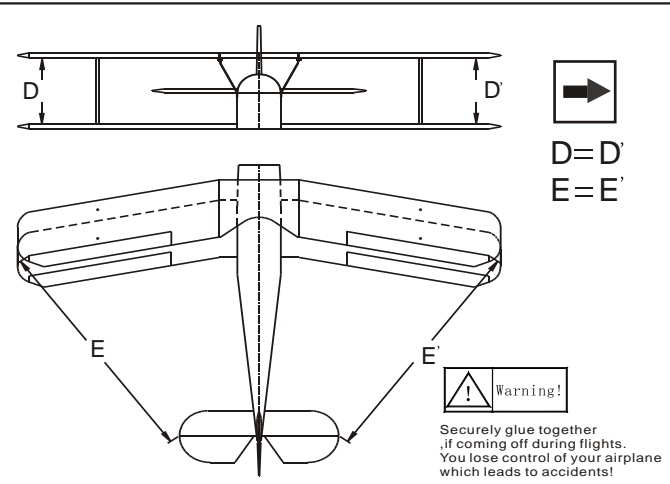








Accessory list for this page.

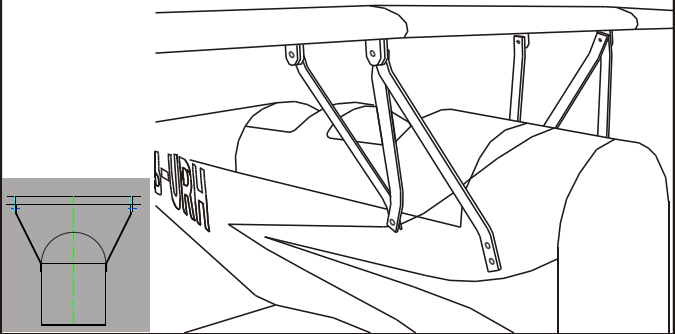
8X35mm screw  ----- 8	HORN  ----- 2	Rod  ----- 2
4X25mm screw  ----- 8	4X30 Screw  ----- 2	1250mm Steel wire  ----- 2
4mm Lock nut  ----- 8	Rod adjuster  ----- 2	Aluminium tube  ----- 2
4mm Washer  ----- 12	Connecting rod head  ----- 6	3X30mm screw  ----- 2
4X16mm screw  ----- 30	3X25mm screw  ----- 4	3mm nut  ----- 3
4X20mm screw  ----- 6	2X8mm screw  ----- 6	2.5X170mm rod  ----- 2
4X20mm screw  ----- 6	4mm Lock nut  ----- 6	

13 Examine the top wing

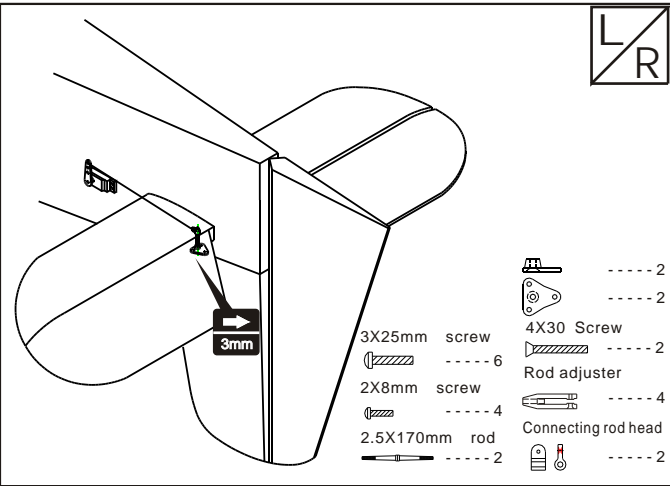


11 Install the top wing

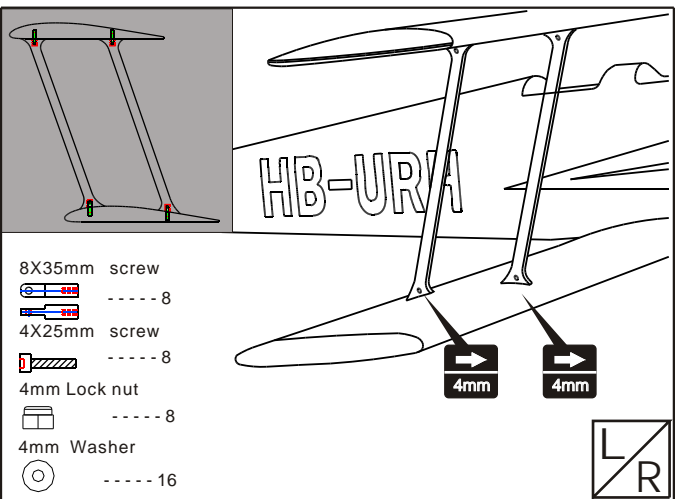
4X16mm screw  ----- 6	4mm Washer  ----- 14
4X20mm screw  ----- 6	4mm Lock nut  ----- 4



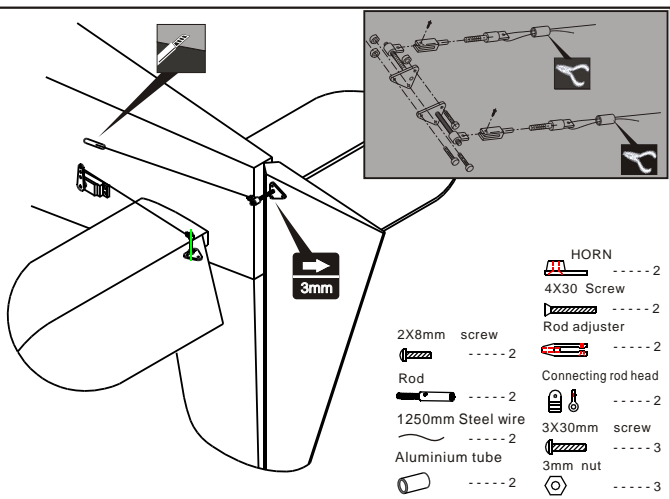
14 Install the servo of elevator



12 Install the top wing



15 Install the servo of rudder



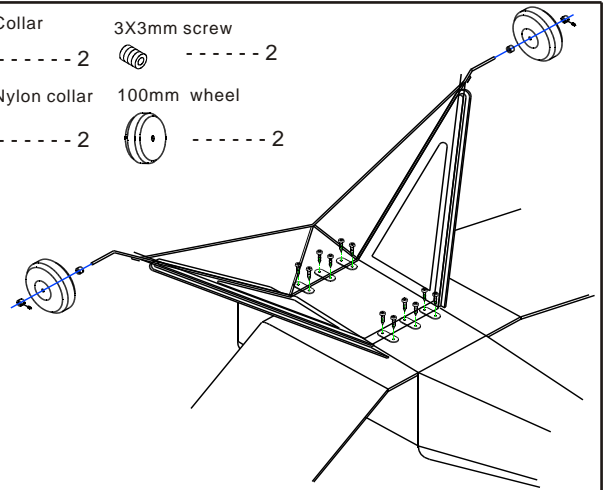


Accessory list for this page.

Connecting rod head	3X25mm Tp screw	Rod
----- 2	----- 12	----- 2
400mm Steel wire	Pressure plate	Rod adjuster
----- 2	----- 6	----- 2
Aluminium tube	3X3mm screw	2X8mm screw
----- 6	----- 4	----- 2
3.2mm Collar	5.2mm Collar	
----- 2	----- 2	
3.2mm Nylon collar	5.2mm Nylon collar	
----- 2	----- 2	
45mm wheel	100mm wheel	
----- 1	----- 2	

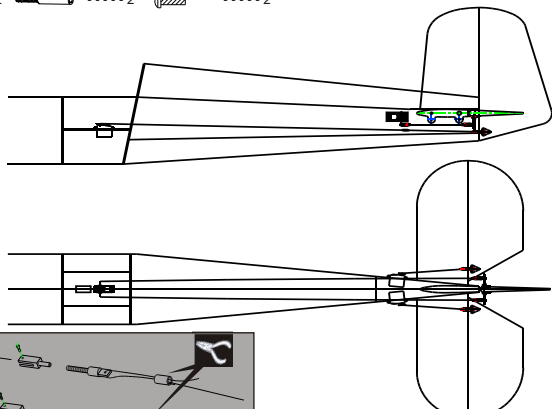
18 Install the main landing gear

5.2mm Collar	3X3mm screw
----- 2	----- 2
5.2mm Nylon collar	100mm wheel
----- 2	----- 2



16 Install the servo of rudder

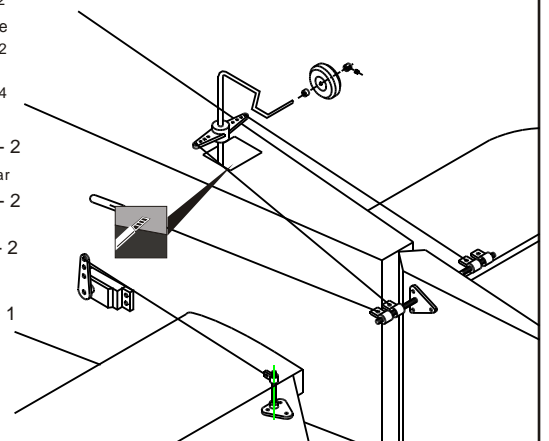
Rod adjuster	Rod	2X8mm screw
----- 2	----- 2	----- 2
Aluminium tube		
----- 2		



You can install two servo

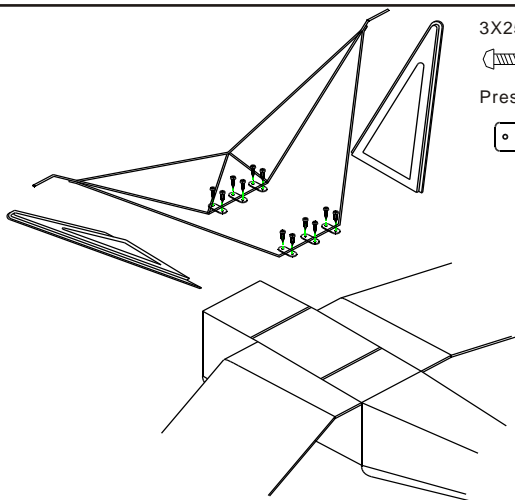
19 Install the tail wheel

Connecting rod head
----- 2
400mm Steel wire
----- 2
Aluminium tube
----- 4
3.2mm Collar
----- 2
3.2mm Nylon collar
----- 2
3X3mm screw
----- 2
45mm wheel
----- 1

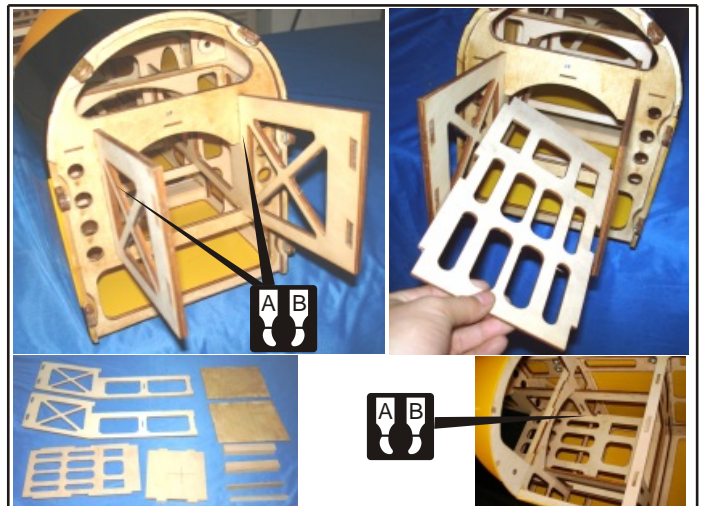


17 Install the main landing gear

3X25mm Tp screw
----- 12
Pressure plate
----- 6




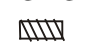


20 Install the engine mount

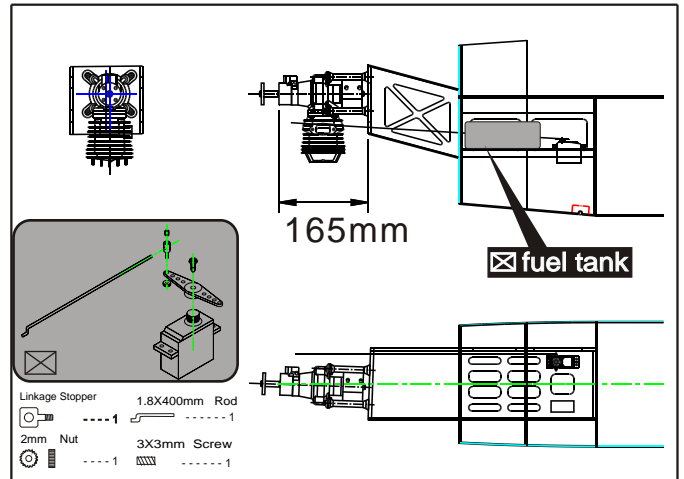




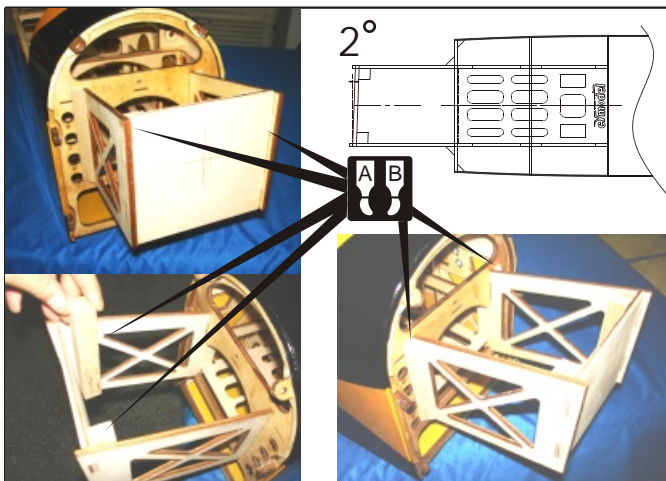
Accessory list for this page.

Linkage Stopper	1.8X400mm Rod
 ----- 1	 ----- 1
2mm Nut	3X3mm Screw
 ----- 1	 ----- 1

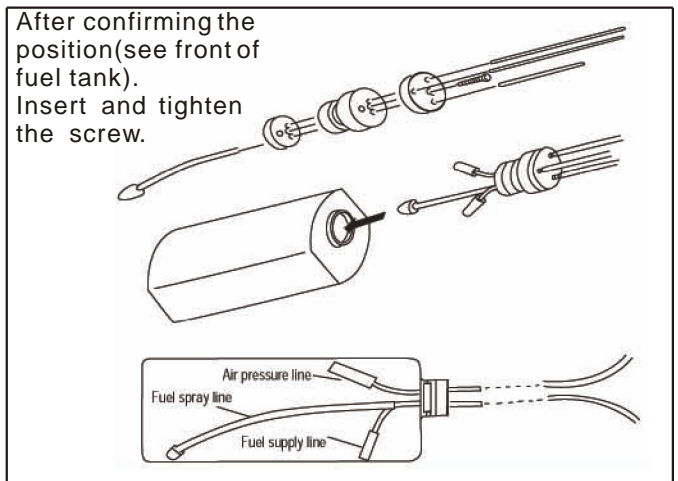
23 Install the engine(50cc gas engine)



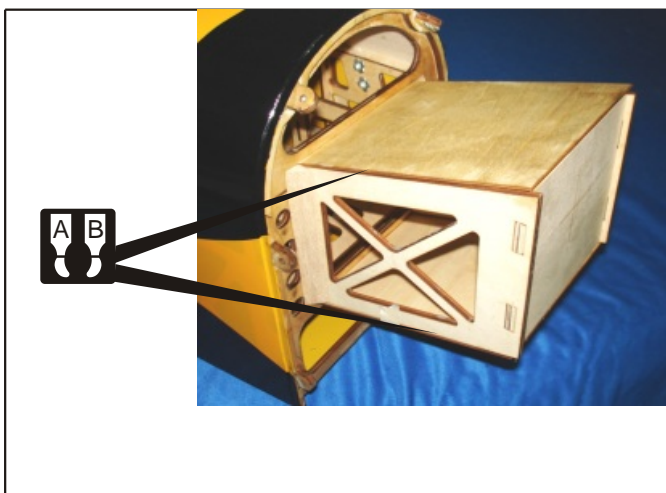
21 Install the engine mount



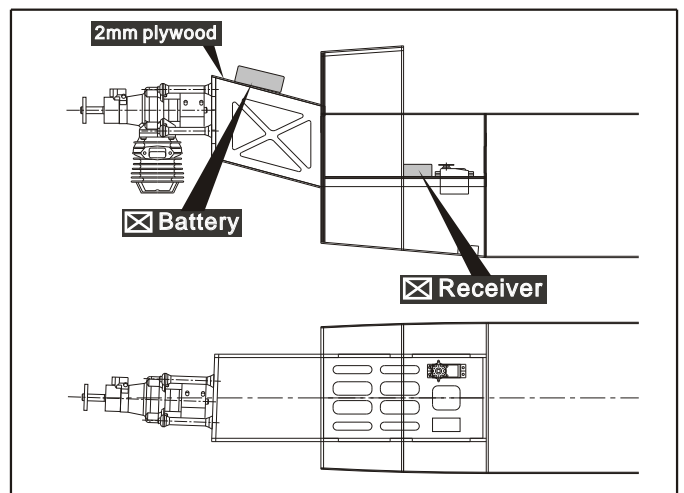
21 Assembly of the fuel tank



22 Install the engine mount



25 Radio Equipment





Accessory list for this page.

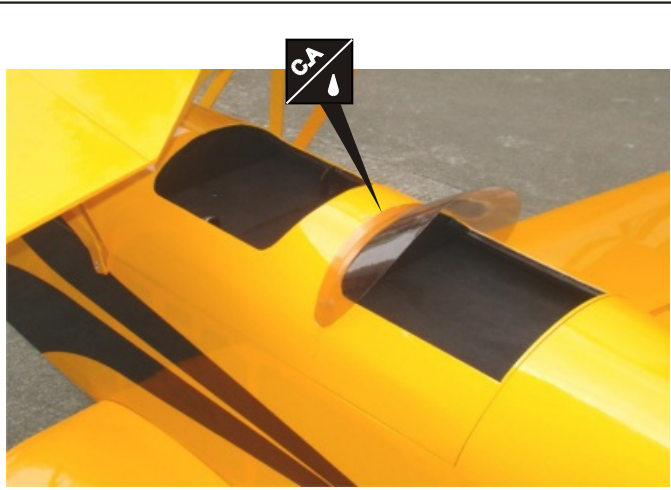
950mm Steel wire ----- 4	Rod adjuster ----- 8	3X12mm Tp screw ----- 2
850mm Steel wire ----- 4	Rod ----- 8	2.6X12mm Tp screw ----- 2
500mm Steel wire ----- 2	2X8mm screw ----- 8	3X12mm screw ----- 8
Aluminium tube ----- 20	3X30mm screw ----- 1	3mm Washer ----- 8
joint ----- 2	3mm nut ----- 1	3mm rubber band ----- 8
joint ----- 14	3mm Washer ----- 2	

28 Install the wing steel wire

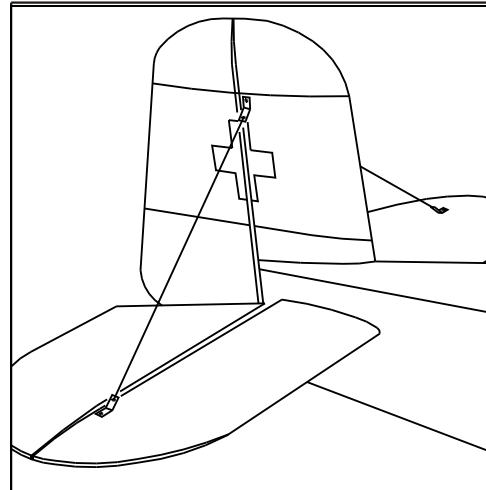
950mm Steel wire ----- 4	Rod adjuster ----- 8	2X8mm screw ----- 8	joint ----- 2	3X12mm Tp screw ----- 2
850mm Steel wire ----- 4	Rod ----- 8	Aluminium tube ----- 16	joint ----- 10	



26 Install the canopy



29 Install the elevator steel wire



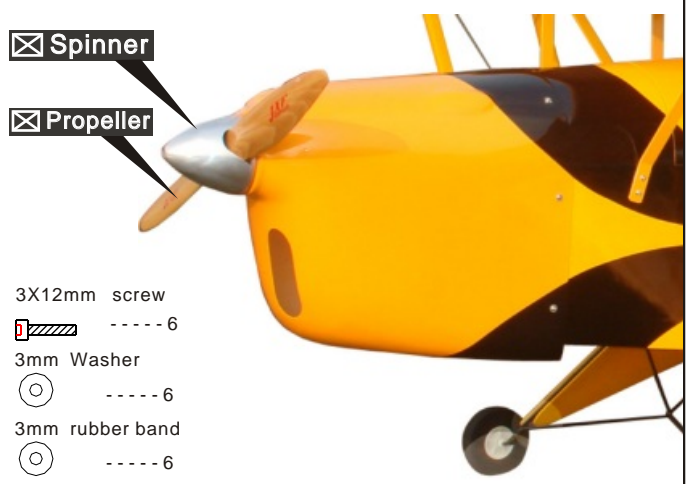
500mm Steel wire ----- 2
Aluminium tube ----- 4
Joint ----- 4
3X30mm screw ----- 1
3mm nut ----- 1
3mm Washer ----- 2
2.6X12mm Tp screw ----- 2

27 Install the canopy

3X12mm screw ----- 2	3mm rubber band ----- 2
3mm Washer ----- 2	2.6X12mm Tp screw ----- 2



30 Install the cowling



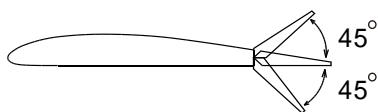
3X12mm screw ----- 6
3mm Washer ----- 6
3mm rubber band ----- 6

31 Adjustment.

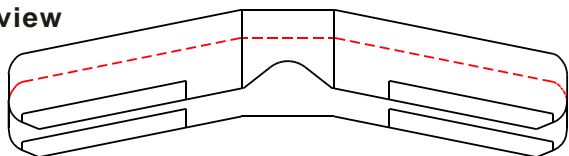
Adjust the travel of each control surface to the values in the diagrams. These values fit general flight capabilities. Readjust according to your needs and flight level.

AILERON

Side view



Top view

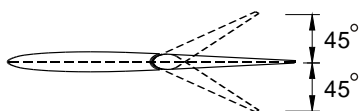


32 Adjustment.

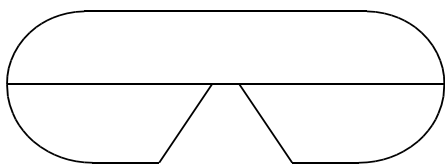
Adjust the travel of each control surface to the values in the diagrams. These values fit general flight capabilities. Readjust according to your needs and flight level.

ELEVATOR

Side view



Top view

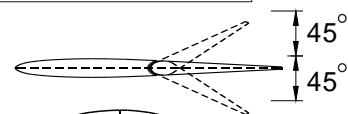


33 Adjustment

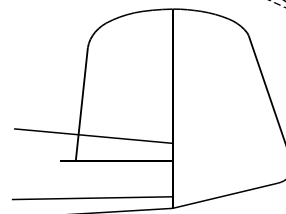
Adjust the travel of each control surface to the values in the diagrams. These values fit general flight capabilities. Readjust according to your needs and flight level.

Rudder

Side view

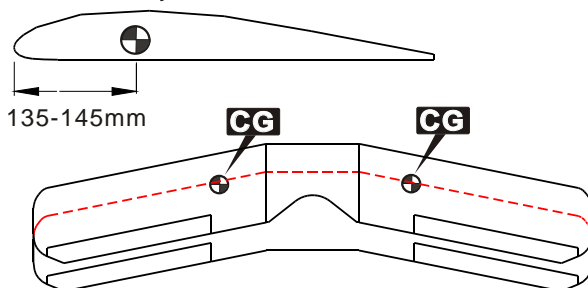


Top view



34 Adjustment.

Never fly before checking the Cg's required position. In order to obtain the CG specified, reposition the receiver and battery.



3/4 - ⚠
Warning!

NEVER fly the model without well balancing.