

Thank you for choosing CYmodel  
Global : [www.cymodel.com](http://www.cymodel.com)  
Australia : [www.austars-model.com](http://www.austars-model.com)  
Italia : [www.biellaexpress.com](http://www.biellaexpress.com)

# PT-19

Item Nr: CY8023B



## Instruction Manual

Before commencing assembly, please read these instructions thoroughly.

***ALMOST - READY - TO - FLY***



Warning!

### **SAFETY PRECAUTIONS**

**This radio control model is not a toy!**

- First-time builders should seek advice from people having building experience in order to assemble the model correctly and to produce its performance to full extent.
- Assemble this kit only in places out of children's reach!
- Take enough safety precautions prior to operating this model.  
You are responsible for this model's assembly and safe operation!
- Always keep this instruction manual ready at hand for quick reference, even after completing the assembly.
- Could cause serious injury or even death

### **SPECIFICATION**

Wing Span: 2800mm (110in)  
Wing Area: 109dm<sup>2</sup> (1670sq.in)  
Total Length: 2160 mm (85 in)  
Engine :80cc gas engine  
Radio : 5 channels ,8 servos  
Empty kit weight:6.5kg

# REQUIRED FOR OPERATION (Purchase separately)

- 1** A minimum 5channel radio for airplanes (with 8servos).  
And dry batteries.

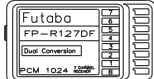


**CAUTION:** Only use a minimum 5channel radio for airplanes! (No other radio may be used!)

A minimum 5 channel transmitter for airplanes.



12 AA-size Batteries



Receiver



remote control

For handling the radio properly, refer to its instruction manual.

- 2** Battery (need 2)  Switch (need 2) 

- 3** Servo(need 8 servos) 

- 4** Engine and Muffler  
Model Airplane engine: 80cc gas engine

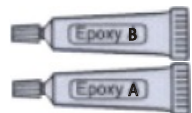



Muffler



Ignition



- 5** Glue    
Epoxy Glue Instant glue

- 6** required for engine starting 



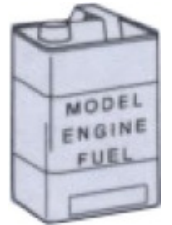
**WARNING:** Normal gasoline cannot be used with glow engines.



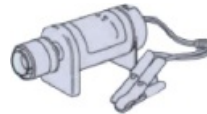
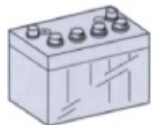
Fuel Pump




Plug Wrench



- 7** Silicone Tube  Fuel Filter 

- 8** Other equipment for enhancing airplane operation & performance
-  Engine Starter
-  12V Battery (for starter)

- 9** Purchase a propeller that will match your engine
-  16X10----18X10

# TOOLS REQUIRED ( Purchase separately)

Sharp Hobby Knife



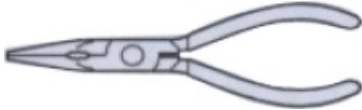
Phillips Screw Driver



Awl



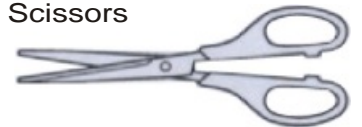
Needle Nose Pliers



Wire Cutters



Scissors



# BEFORE YOU BEGIN

- 1 . Read through the manual before you begin ,so you will have an overall idea of what to do.
- 2 . Check all parts .if you find any defective or missing parts .contact your local dealer.
- 3 Symbols used throughout this instruction manual,comprise.



Apply epoxy glue.



Drill holes with the specified Diameter(here:2mm)



Must be purchased separately!



Apply instant glue (CA glue,super glue).



Ensure smooth non-binding movement while assembling.



Pay close attention here!



Assemble left and right Sides the same way.



Cut off shaded portion.



Cut off excess.



Do not overlook this symbol.



## Accessory list for this page.

3X12mm TP screw

----- 6

2.6X12mm Tp screw

----- 16

3X30mm screw

----- 6

2X8mm screw

----- 8

2.5X85mm rod

----- 4

Hinge

----- 10

Hinge

----- 6

HORN ----- 4

----- 2

4X30 Screw ----- 4

----- 8

Connecting rod head

----- 4

4X30mm screw

----- 2

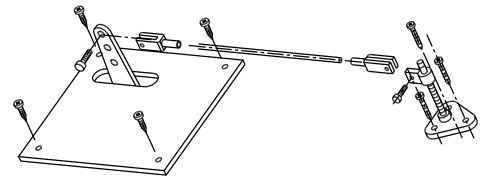
4mm Washer

----- 2

## 3 Install the servo.

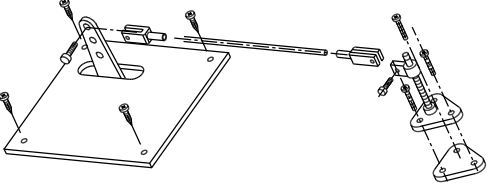
L/R

Flap.



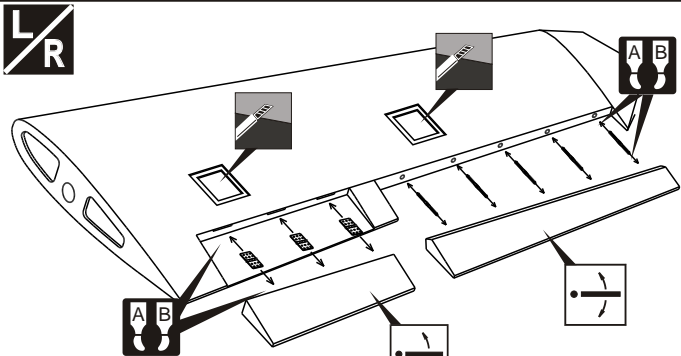
L/R

Aileron

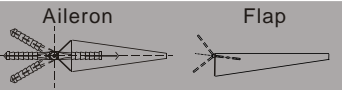


## 1 Install the aileron

L/R



Make sure hinges are mounted in the same line

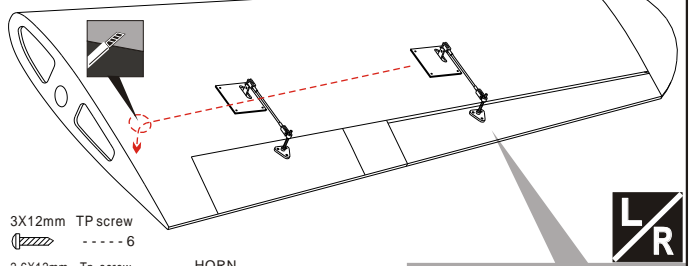


Hinge ----- 10

Hinge ----- 6

## 4 Install the servo.

Cut the film, put the aileron and flap servo line out



3X12mm TP screw

----- 6

2.6X12mm Tp screw

----- 16

3X30mm screw

----- 6

2X8mm screw

----- 8

2.5X85mm rod

----- 4

HORN ----- 4

----- 2

4X30 Screw ----- 4

----- 8

Rod adjuster

----- 8

Connecting rod head

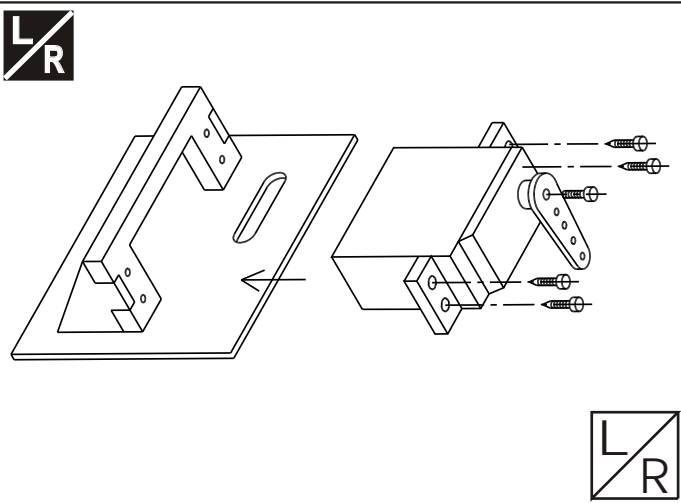
----- 4

L/R

2mm

## 2 Install the servo.

L/R



L/R

## 5 Main wing

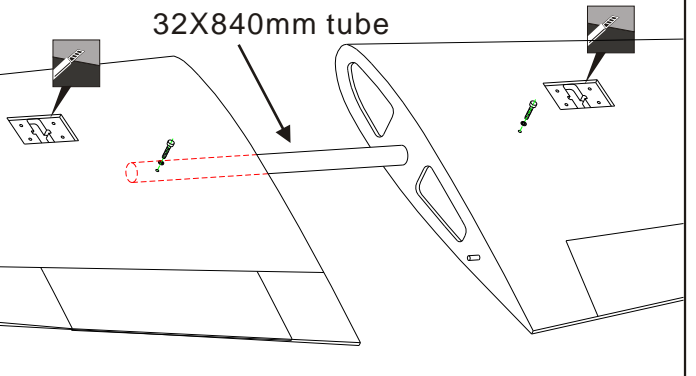
4X30mm screw

----- 2

4mm Washer

----- 2

32X840mm tube

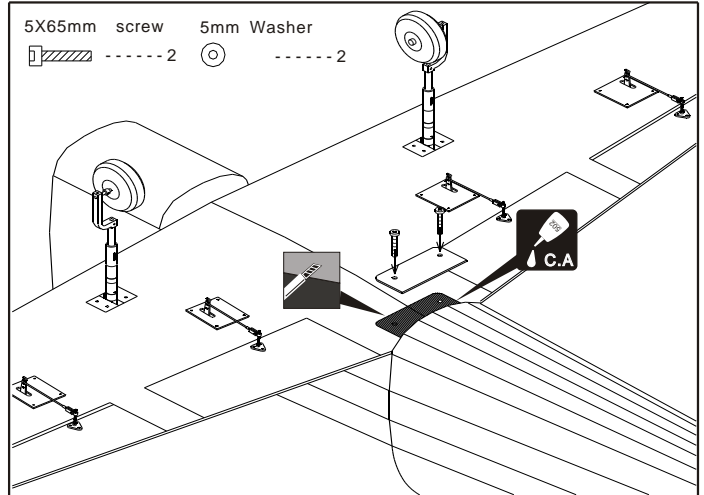




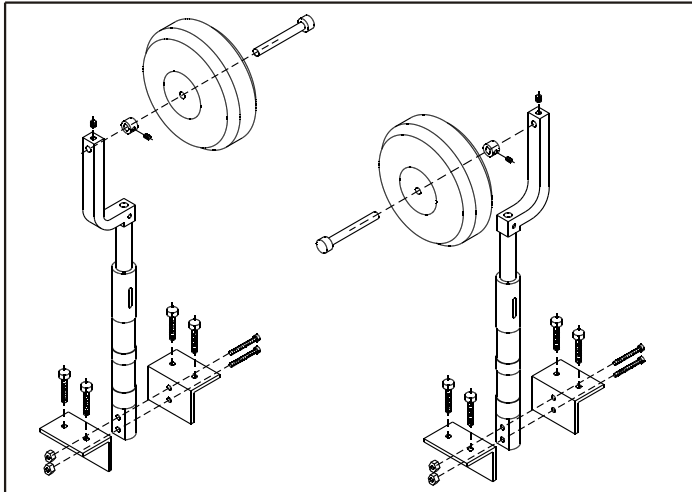
## Accessory list for this page.

4X25mm screw	5.2mm Collar
----- 4	----- 2
4X20mm screw	3X3mm screw
----- 8	----- 2
4mm Lock nut	4X4mm screw
----- 4	----- 2
5X45mm Axletree	Hinge
----- 2	----- 9
5X65mm screw	5mm Washer
----- 2	----- 2

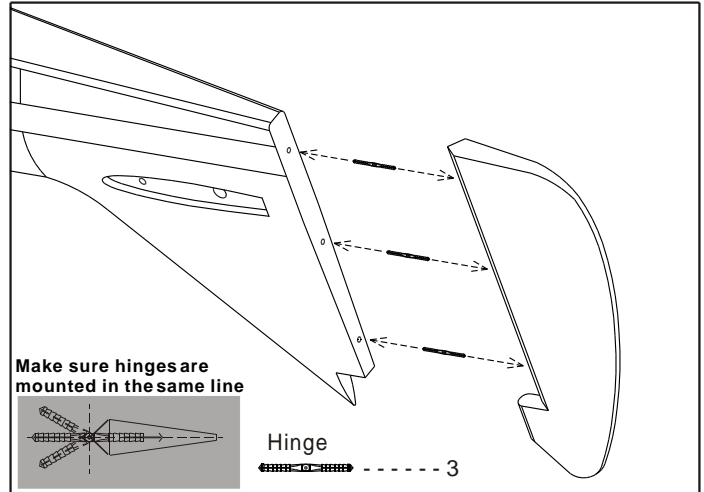
## 8 Main wing installing



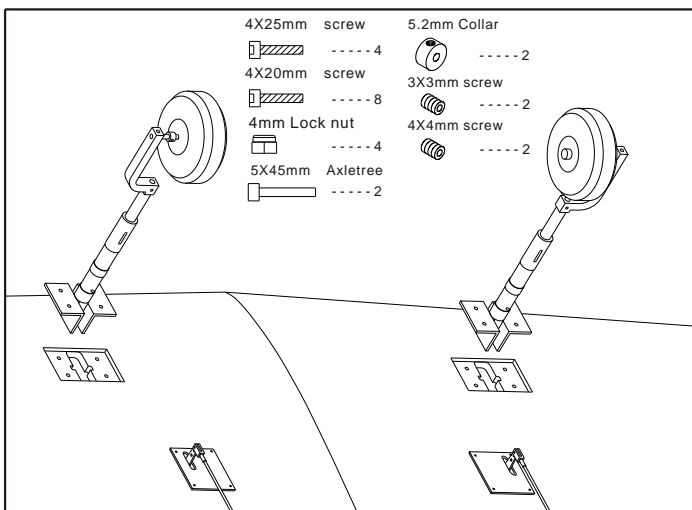
## 6 Main landing gear installing



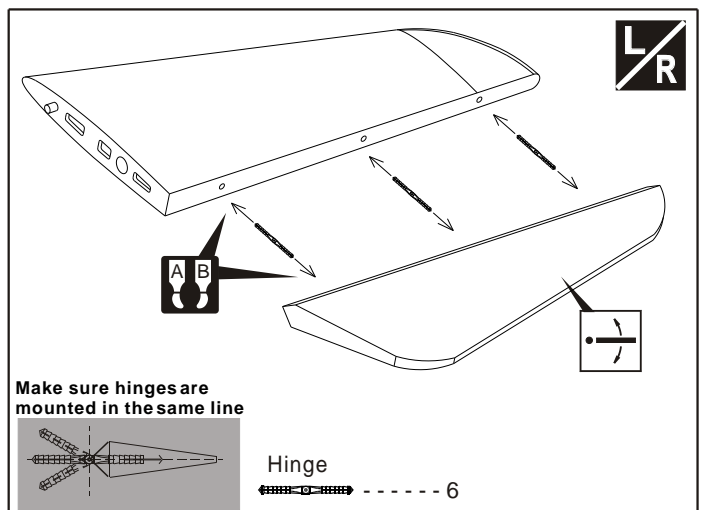
## 9 Install the rudder



## 7 Main landing gear installing



## 10 Install the elevator

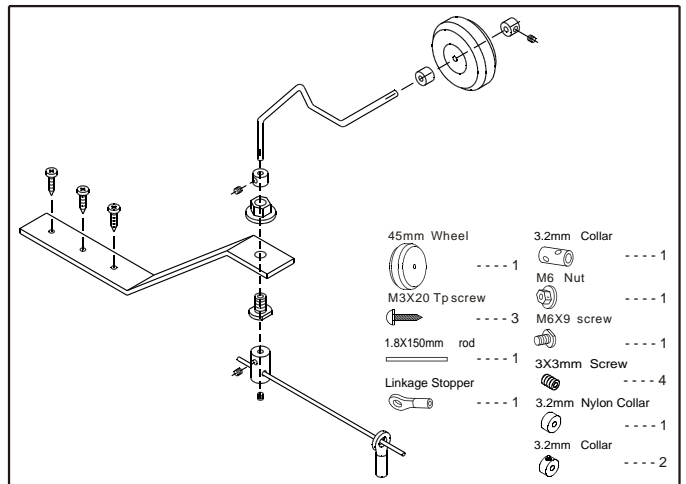




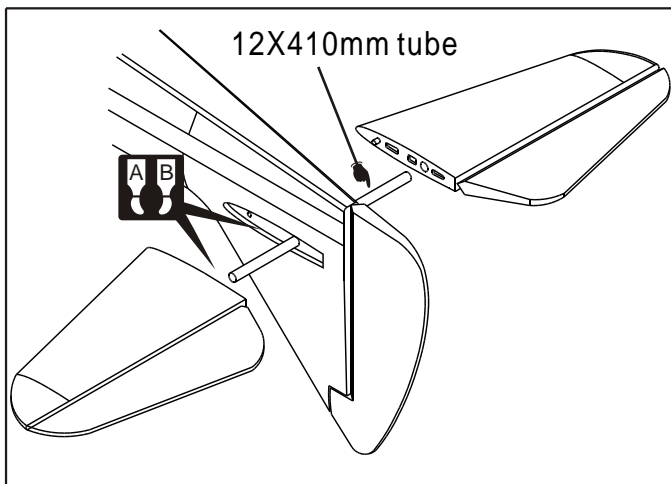
## Accessory list for this page.

HORN ----- 2	M3X20 Tp screw ----- 3	3.2mm Collar ----- 1
4X40 Screw ----- 2	1.8X150mm rod ----- 1	M6 Nut ----- 1
Rod adjuster ----- 2	Linkage Stopper ----- 1	M6X9 screw ----- 1
Connecting rod head ----- 2	2X10mm screw ----- 4	3X3mm Screw ----- 4
Rod ----- 4	1200mm Steel wire ----- 2	3.2mm Nylon Collar ----- 1
3X40mm screw ----- 3	Aluminium tube ----- 4	3.2mm Collar ----- 2
3mm Lock nut ----- 3	45mm Wheel ----- 1	

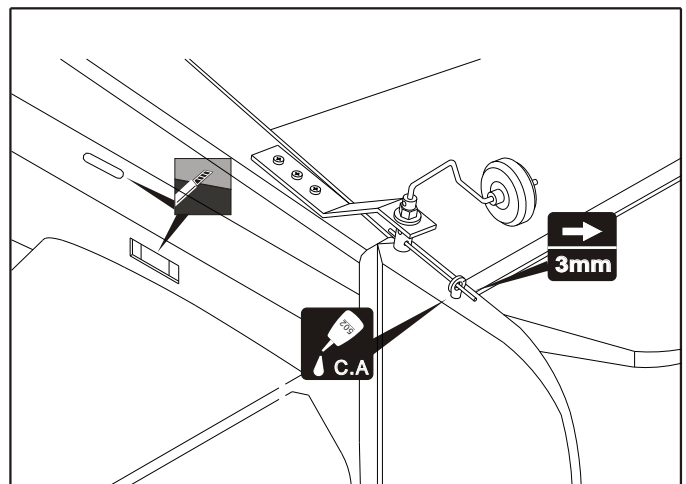
## 13 Install the tail wheel



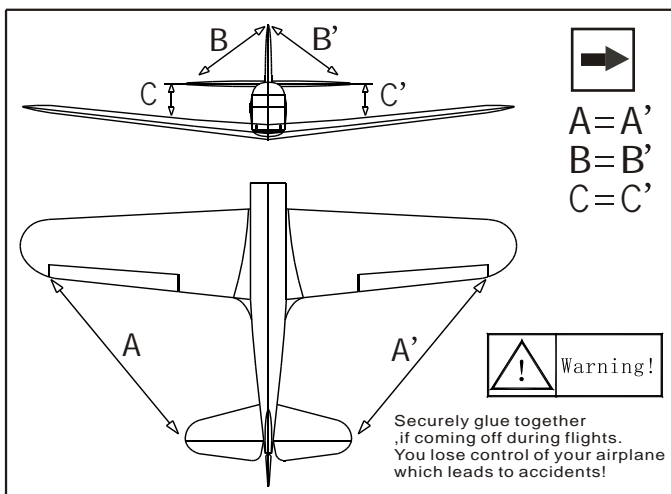
## 11 Install the elevator



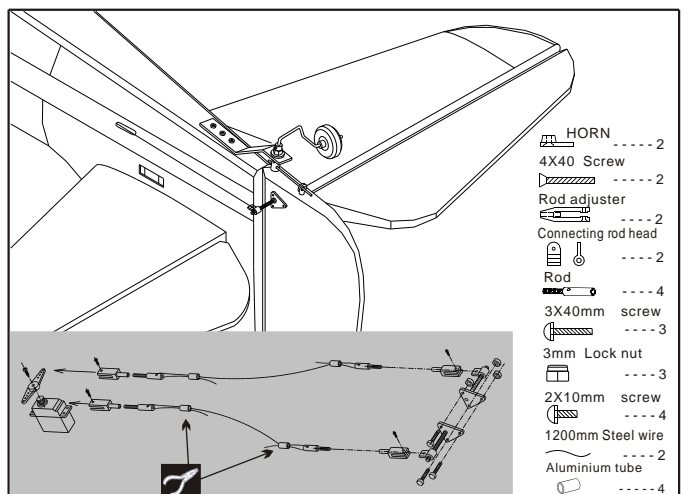
## 14 Install the tail wheel



## 12 Main wing&Horizontal/Vertical tail



## 15 Install the rudder servo







## Accessory list for this page.

Rod adjuster

2.5X125mm rod

3X25mm screw

2X10mm screw

3X3mm Screw

Linkage Stopper

2mm Nut

1.8X200mm Rod

2mm Nut

1.8X200mm Rod

2mm Nut

1.8X200mm Rod

HORN

4X30 Screw

Connecting rod head

2mm Nut

1.8X200mm Rod

2mm Nut

1.8X200mm Rod

2mm Nut

1.8X200mm Rod

2mm Nut

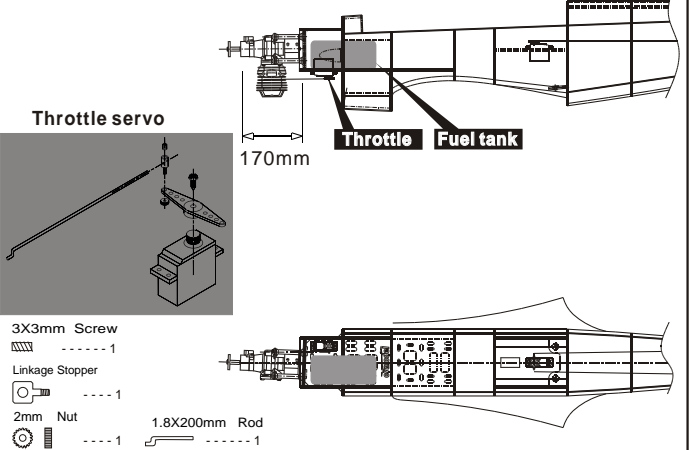
1.8X200mm Rod

2mm Nut

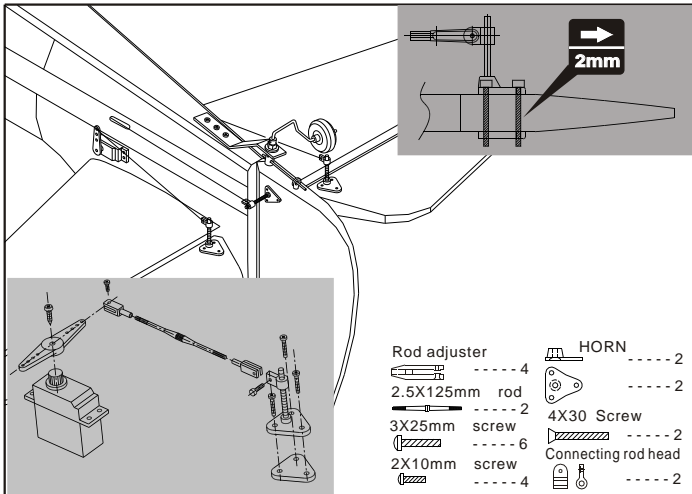
1.8X200mm Rod

## 18 Install the engine

Model Airplane engine:80cc gas engine

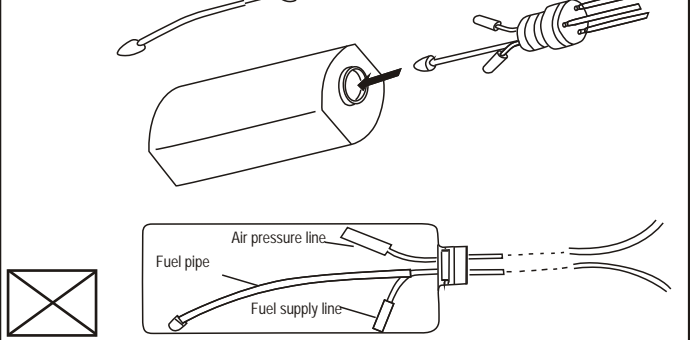


## 16 Install the elevator servo

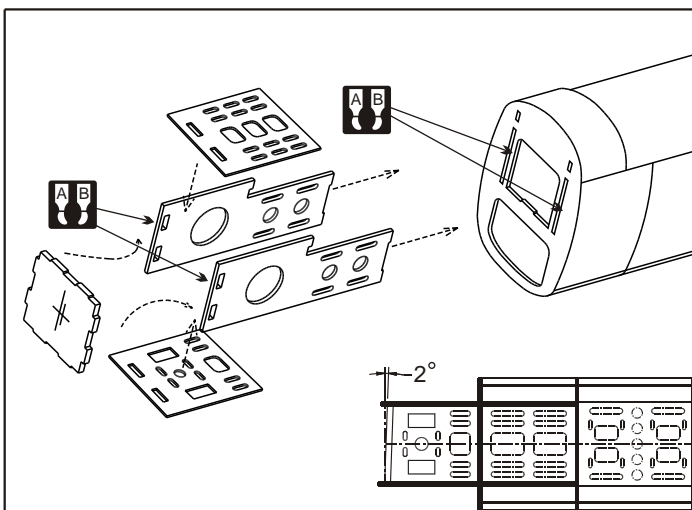


## 19 Assembly of the full tank

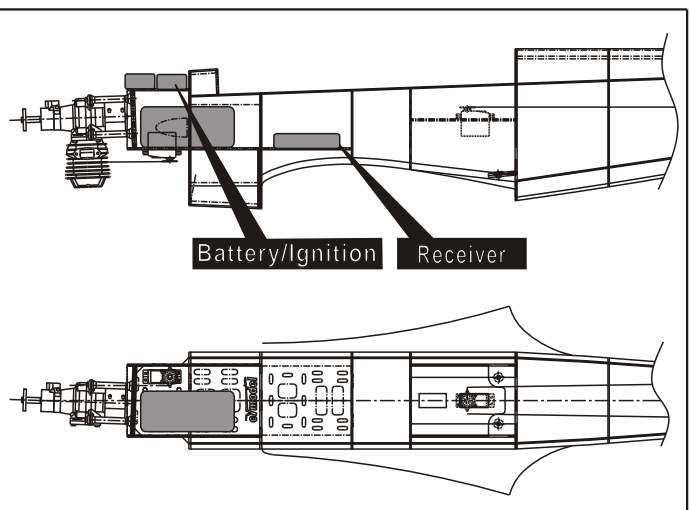
After confirming the position(see front of fuel tank). Insert and tighten the screw.



## 17 Install the engine mount

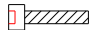

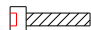




## 20 Radio Equipment

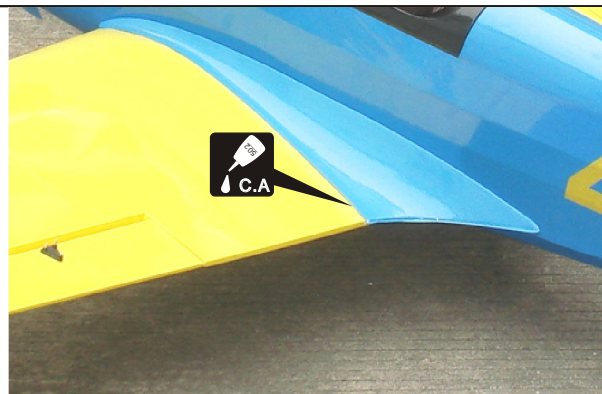




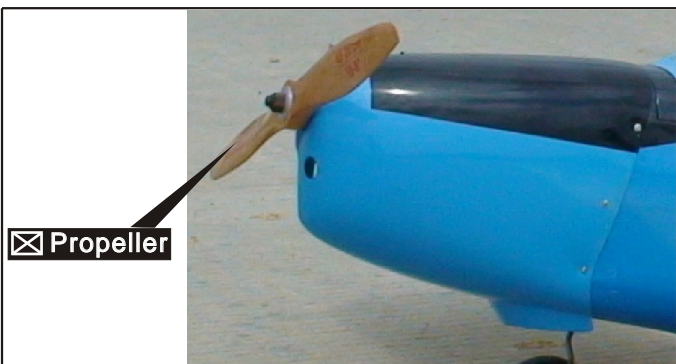
## Accessory list for this page.

3X14mm screw	3mm Washer
 ----- 5	 ----- 7
3X20mm screw	3mm rubber gasket
 ----- 2	 ----- 7
2.6X12mm Tp screw	
 ----- 8	

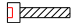


## 23 Install the canopy



## 21 Install the thr cowling



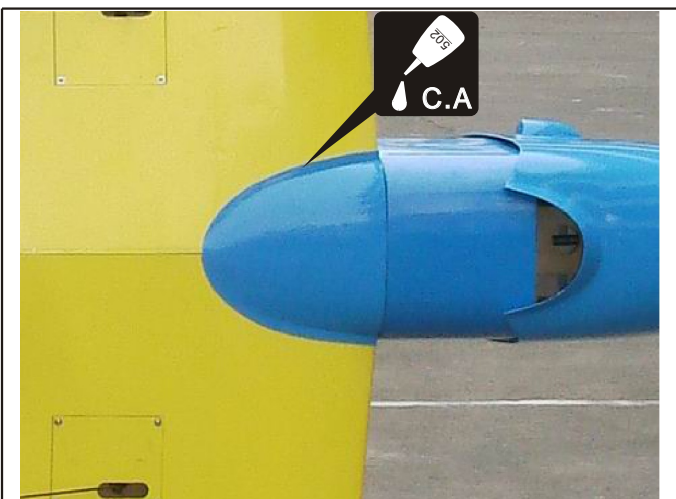
✕ Propeller

3X14mm screw	3mm Washer	3mm rubber gasket
 ----- 5	 ----- 5	 ----- 5

## 24 Install the canopy

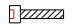





## 22 Install the canopy



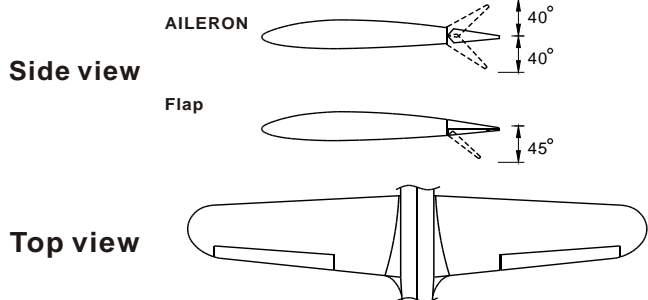
## 25 Install the canopy



3X20mm screw	3mm Washer	3mm rubber gasket	2.6X12mm Tp screw
 ----- 2	 ----- 2	 ----- 2	 ----- 8

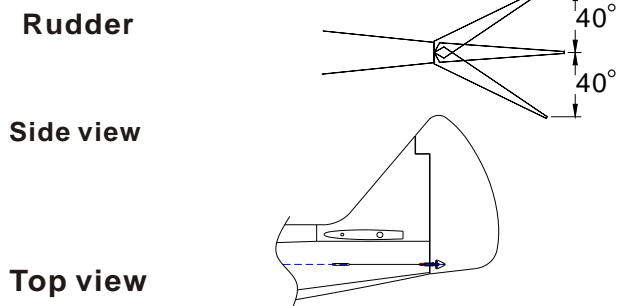
## 26 Adjustment.

Adjust the travel of each control surface to the values in the diagrams.  
These values fit general flight capabilities.  
Readjust according to your needs and flight level.



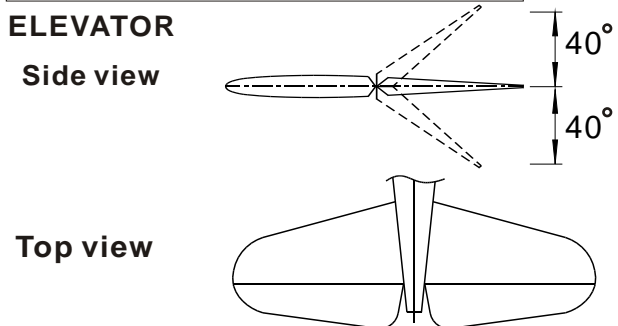
## 28 Adjustment

Adjust the travel of each control surface to the values in the diagrams.  
These values fit general flight capabilities.  
Readjust according to your needs and flight level.



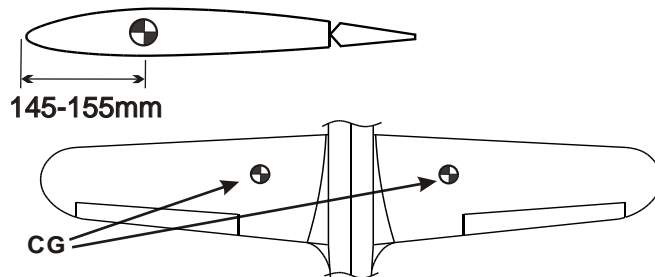
## 27 Adjustment.

Adjust the travel of each control surface to the values in the diagrams.  
These values fit general flight capabilities.  
Readjust according to your needs and flight level.



## 29 Adjustment.

Never fly before checking the Cg' s required position.  
In order to obtain the CG specified ,reposition the receiver and battery.



警告  
Warning!

**NEVER** fly the model  
without well balancing.