

Thank you for choosing CYmodel
Global : www.cymodel.com
Australia : www.austars-model.com
Italia : www.biellaexpress.com

YAK 3U

Item Nr: CY8021



Instruction Manual

Before commencing assembly, please read these instructions thoroughly.

ALMOST - READY - TO - FLY



SAFETY PRECAUTIONS

This radio control model is not a toy!

SPECIFICATION

- First-time builders should seek advice from people having building experience in order to assemble the model correctly and to produce its performance to full extent.
- Assemble this kit only in places out of children's reach!
- Take enough safety precautions prior to operating this model. You are responsible for this model's assembly and safe operation!
- Always keep this instruction manual ready at hand for quick reference, even after completing the assembly.
- Could cause serious injury or even death

Wing Span.....2440mm/96in
Wing Area.....83.4dm²/1293sq.in
Total Length.....2220mm/87.4in
Engine:80-100cc gas engine
Radio:6 channels,8-9 servos

REQUIRED FOR OPERATION (Purchase separately)

- 1** A minimum 6channel radio for airplanes (with 9servos).
And dry batteries.

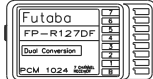


CAUTION: Only use a minimum 6channel radio for airplanes! (No other radio may be used!)

A minimum 6 channel transmitter for airplanes.



12 AA-size Batteries




receiver



remote control

For handling the radio properly, refer to its instruction manual.

- 2** Battery (need 2)  Switch (need 2) 

- 3** Servo(need 9 servos) 

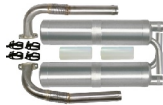
- 4** Engine and Muffler
Model Airplane engine:80-100cc gas engine







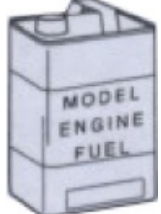
Muffler



Muffler



- 5** Glue  
Epoxy Glue 
Instant glue

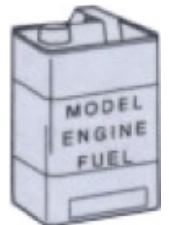
- 6** required for engine starting  **WARNING:** Normal gasoline cannot be used with glow engines. 
Glow engine fuel only.



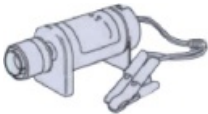
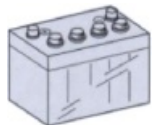
Fuel Pump



Plug Wrench



- 7** Silicone Tube  Fuel Filter 

- 8** Other equipment for enhancing airplane operation & performance 
Engine Starter 
12V Battery (for starter)

- 9** Purchase a propeller that will match your engine 

TOOLS REQUIRED (Purchase separately)

Sharp Hobby Knife



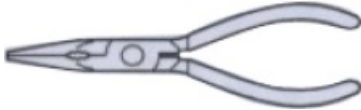
Phillips Screw Driver



Awl



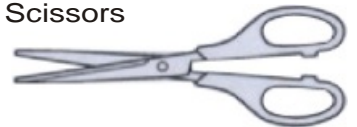
Needle Nose Pliers



Wire Cutters



Scissors



BEFORE YOU BEGIN

- 1 . Read through the manual before you begin ,so you will have an overall idea of what to do.
- 2 . Check all parts .if you find any defective or missing parts .contact your local dealer.
- 3 Symbols used throughout this instruction manual,comprise.



Apply epoxy glue.



Drill holes with the specified Diameter(here:2mm)



Must be purchased separately!



Warning!



Apply instant glue (CA glue,super glue).



Ensure smooth non-binding movement while assembling.



Pay close attention here!

Do not overlook this symbol.



Assemble left and right Sides the same way.



Cut off shaded portion.



Cut off excess.

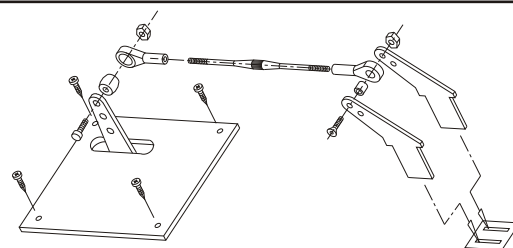
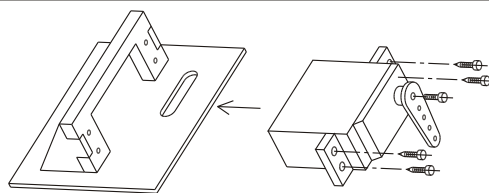


Accessory list for this page.

	3mm Lock nut	8
	3X16 Screw	8
	2.5X85mm rod	4
	Rod adjuster	4
	Rod adjuster	4
	HORN	8
	2.6X12mm Tp Screw	16
	Hinge	10
	Hinge	6

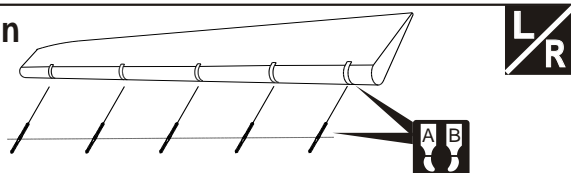
3 Install the servo

L/R



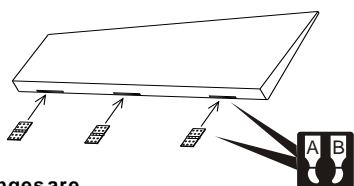
1 Install the aileron and flap

Aileron



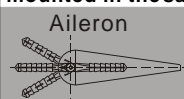
L/R

Flap



A/B

Make sure hinges are mounted in the same line



Aileron

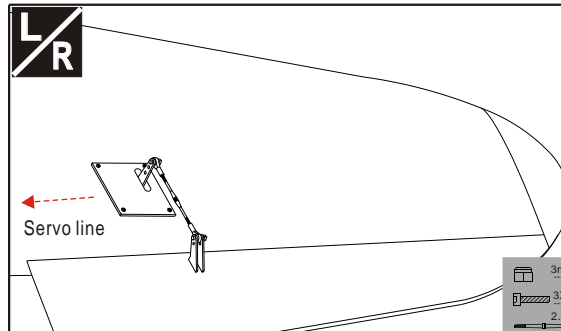
Flap

Hinge 10

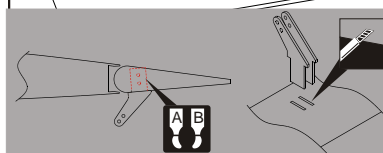
Hinge 6

4 Install the servo of aileron

L/R



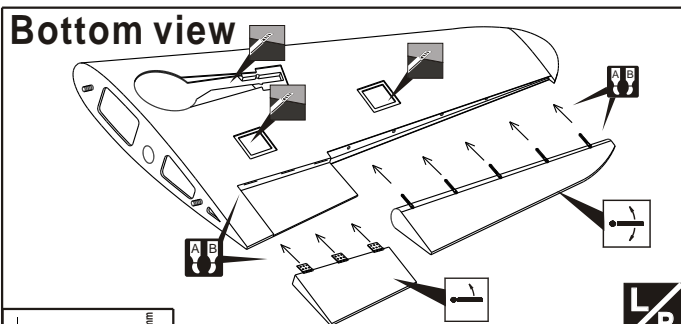
Servo line



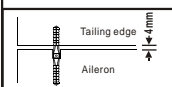
	3mm Lock nut	4
	3X16 Screw	4
	2.5X85mm rod	2
	Rod adjuster	2
	Rod adjuster	2
	HORN	4
	2.6X12mm Tp Screw	8

2 Install the aileron and flap

Bottom view



L/R



Tailing edge

4mm

Aileron

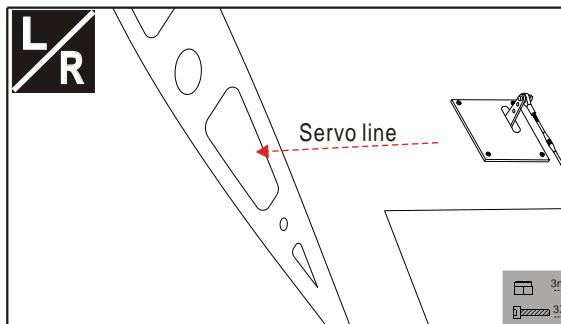


Warning!

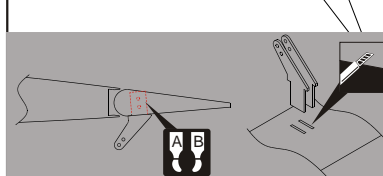
Securely glue together. If coming off during flights, you'll lose control of your airplane which leads to accidents!

5 Install the servo of flap

L/R



Servo line



	3mm Lock nut	4
	3X16 Screw	4
	2.5X85mm rod	2
	Rod adjuster	2
	Rod adjuster	2
	HORN	4
	2.6X12mm Tp Screw	8

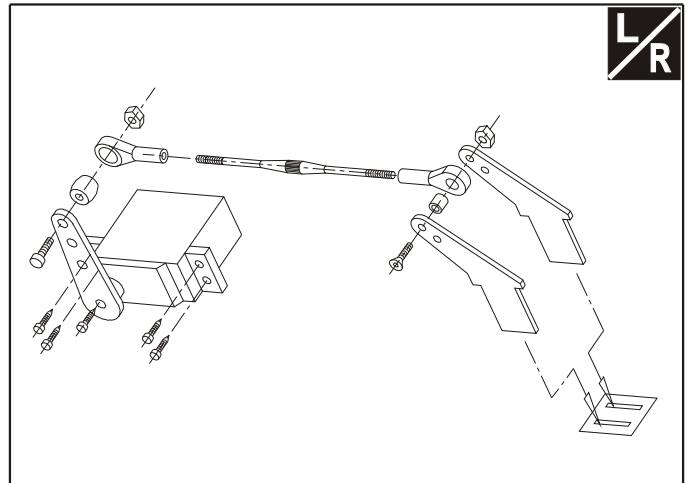


Accessory list for this page.

	3mm Lock nut	4
	3X16 Screw	4
	2.5X85mm rod	2
	Rod adjuster	2
	Rod adjuster	2
	HORN	4
	Hinge	12

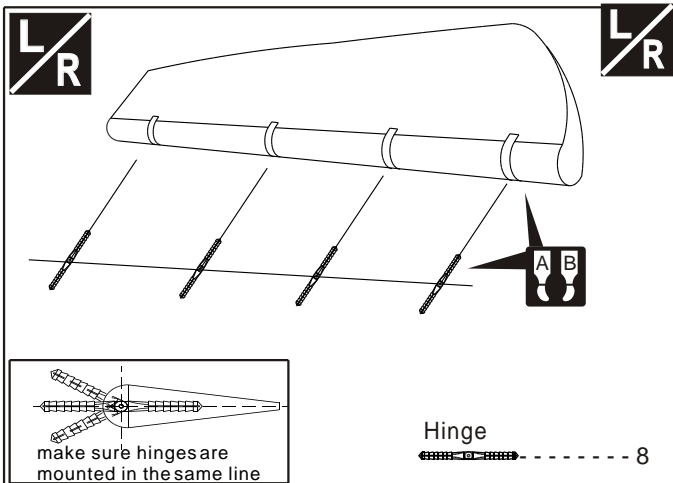
8

Install the elevator servos



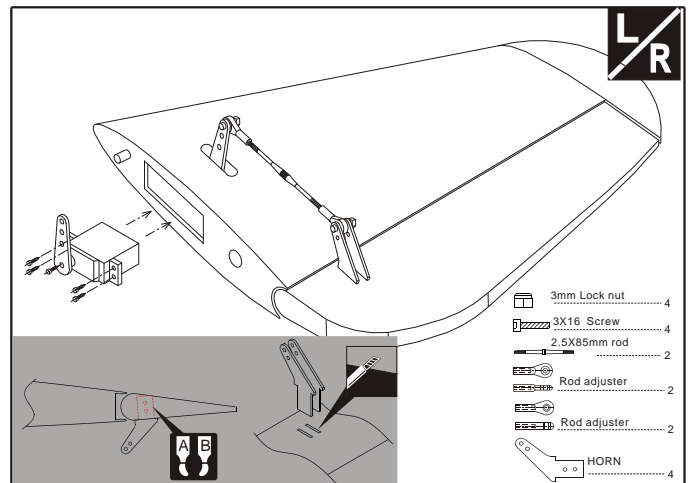
6

Install the elevator



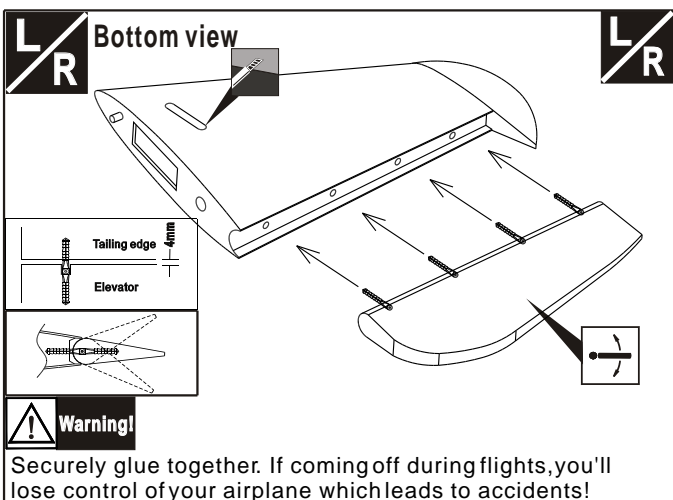
9

Install the elevator servos



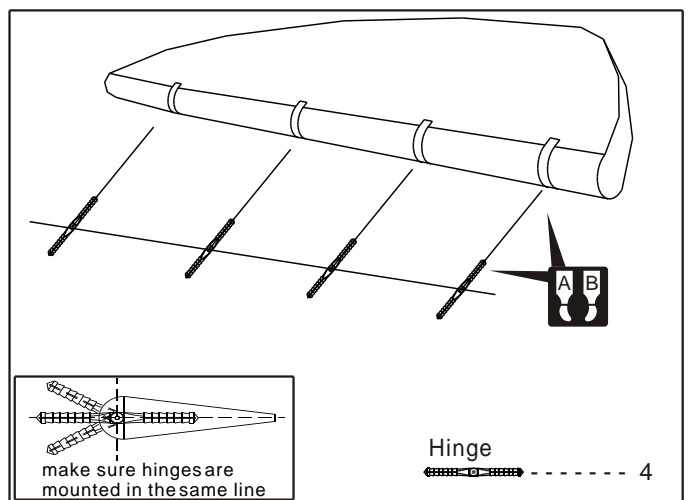
7

Install the elevator



10

Install the rudder

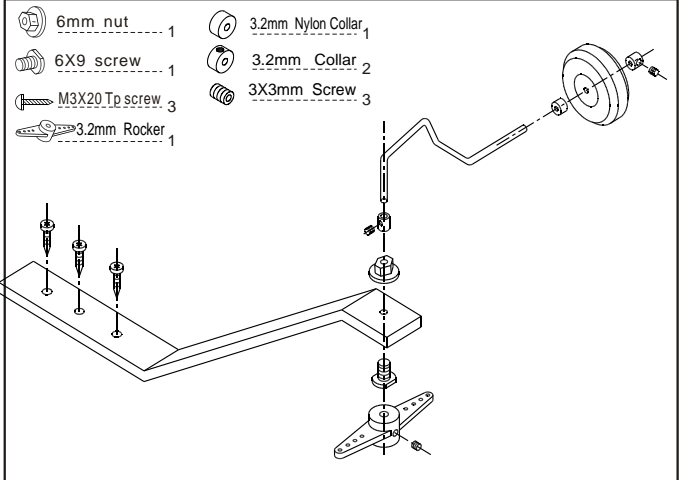




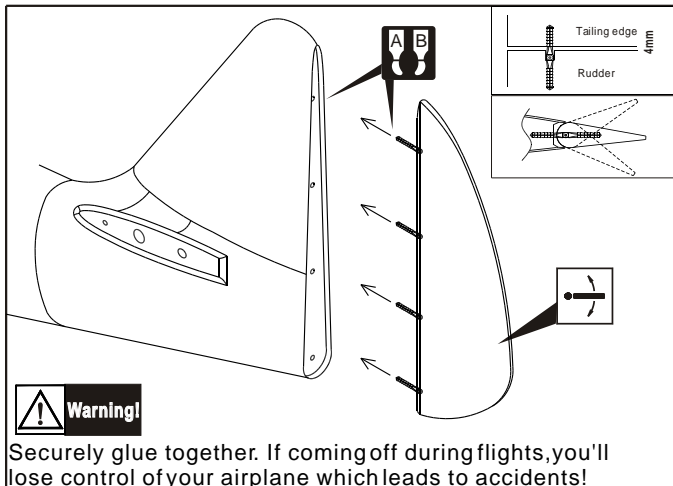
Accessory list for this page.

- | | |
|----------------------------|------------------------|
| 6mm nut 1 | Rod 4 |
| 6X9 screw 1 | Aluminium tube 4 |
| M3X20 Tp screw 3 | Steel wire 2 |
| 3.2mm Rocker 1 | HORN 2 |
| 3.2mm Nylon Collar 1 | Rod adjuster 2 |
| 3.2mm Collar 2 | Rod adjuster 2 |
| 3X3mm Screw 3 | 3mm Lock nut 4 |
| Spring 2 | 3X16 Screw 4 |

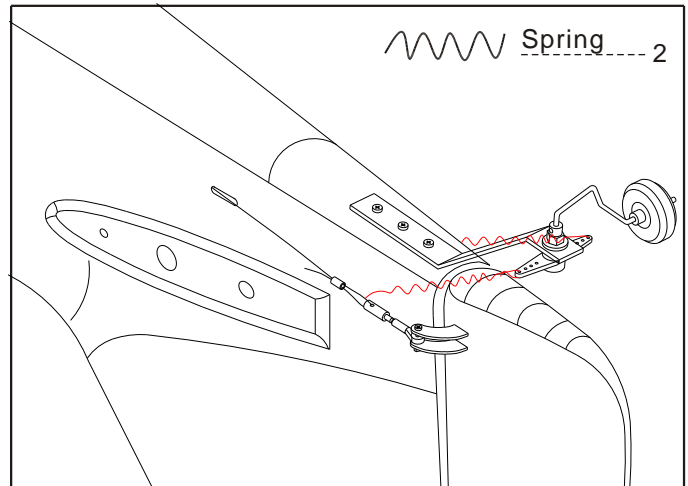
13 Install the tail wheel



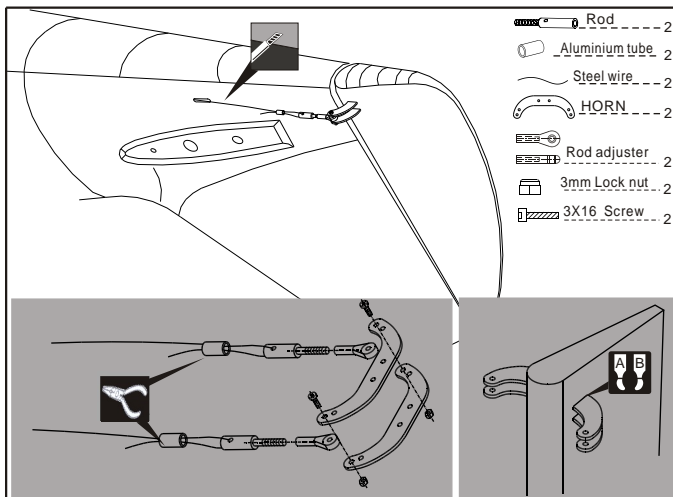
11 Install the rudder



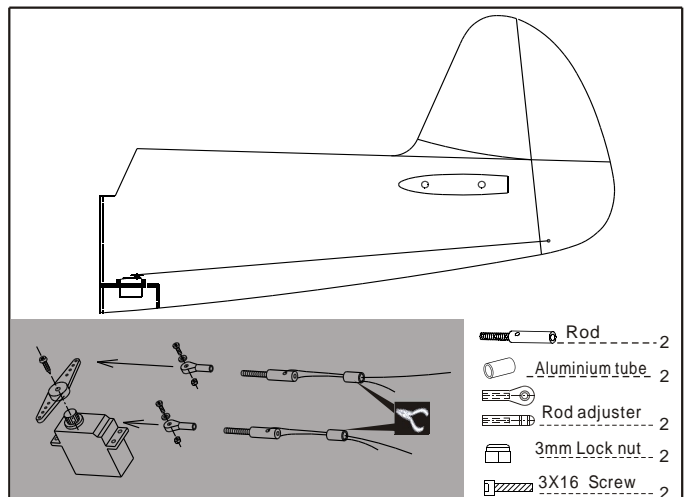
14 Install the tail wheel



12 Install the rudder



15 Install the servos of rudder&tail wheel





Accessory list for this page.

3X20mm Tp screw



----- 8

3X5mm screw



----- 4

Ply wood



----- 2

5X30mm screw



----- 4

5mm Washer



----- 4

4mm Lock nut



----- 2

8mm nylon Nut



----- 4

Rod adjuster



----- 1

2X8mm screw



----- 1

Retainer



----- 1

Rod (1.8X80mm)



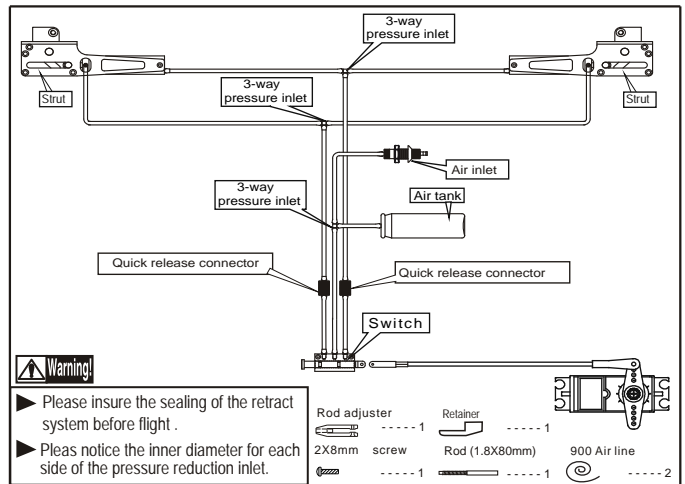
----- 1

900 Air line

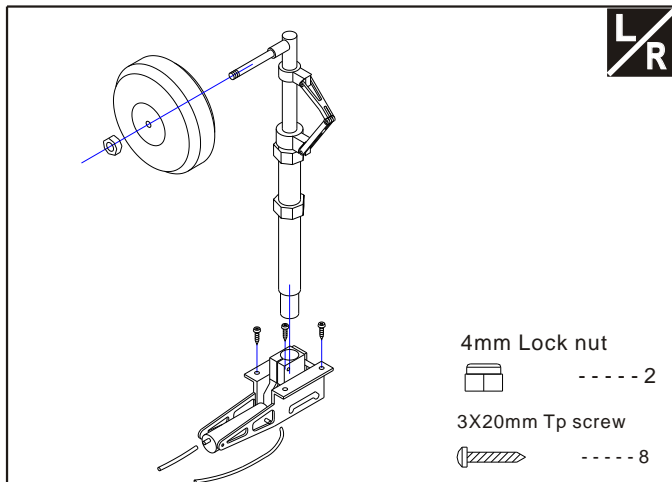


----- 2

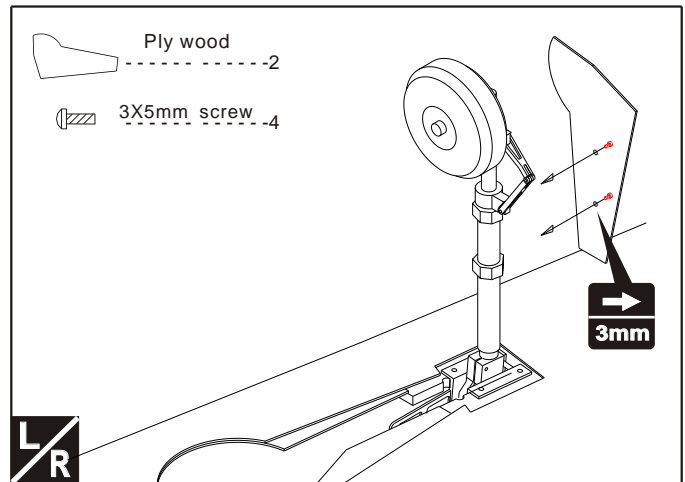
18 Install the main landing gear



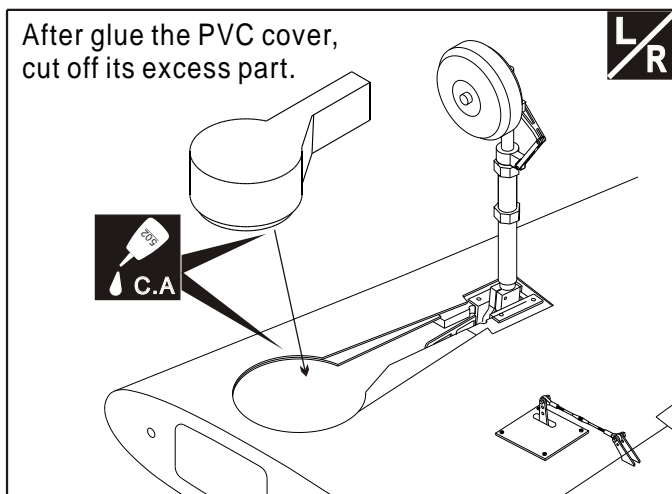
16 Install the main landing gear



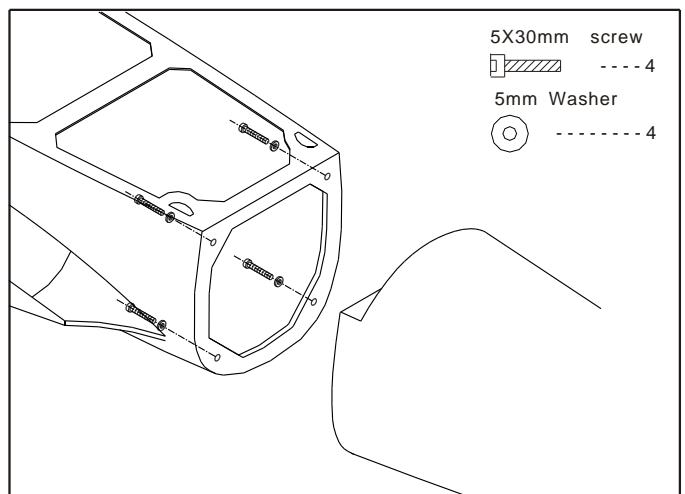
19 Install the main landing gear



17 Install the main landing gear

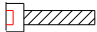

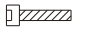





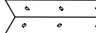
20 Fuselage installing



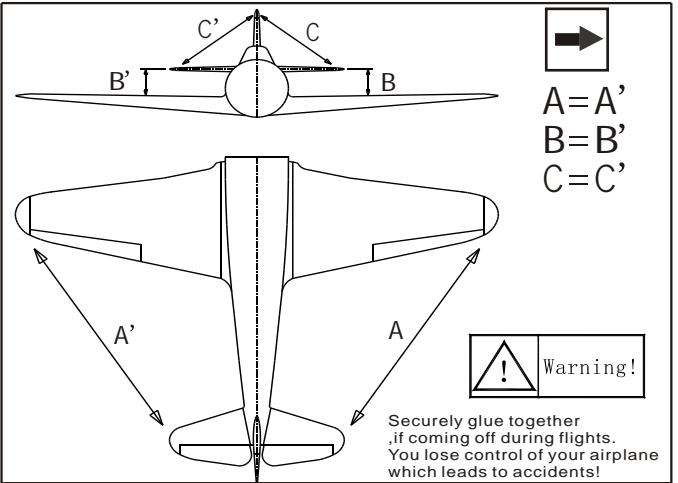


Accessory list for this page.

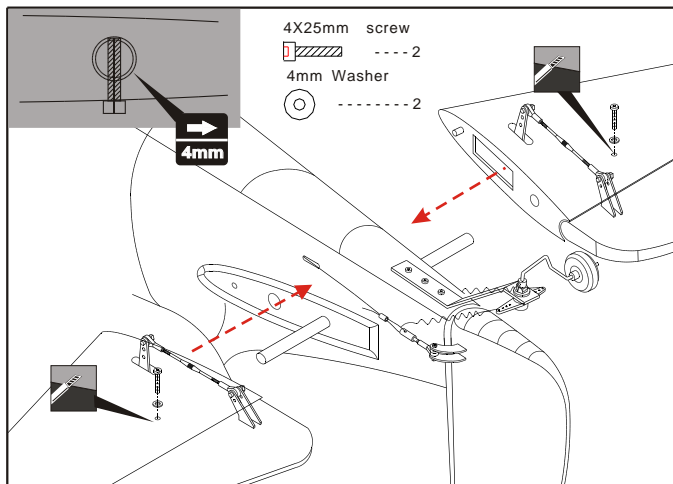
- 4X25mm screw  ----- 2
- 4mm Washer  ----- 2
- 3X16mm screw  ----- 12
- 3mm Lock nut  ----- 12

- 8mm nylon Nut  ----- 4
- 3mm Washer  ----- 24
- Aluminium plank  ----- 2

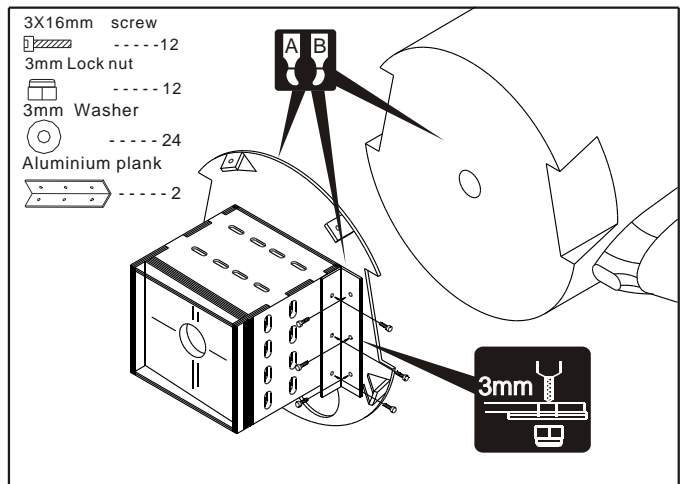
23 Main wing & Horizontal/Vertical tail



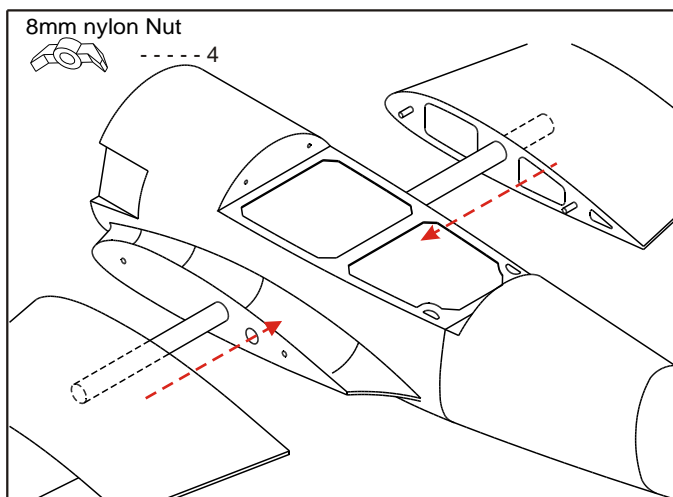
21 Horizontal (Put the servo into the fuselage)



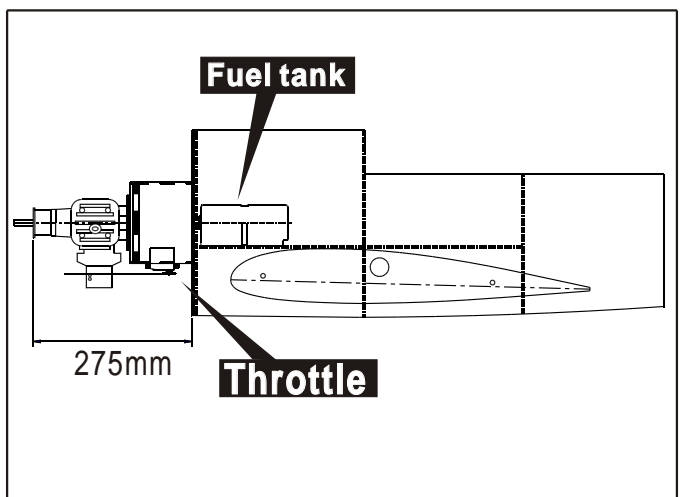
24 Installing the engine mount



22 Main wing (Put the servo line into the fuselage)



25 Installing the engine (80-100cc)





Accessory list for this page.

Linkage Stopper



-----1

1.8X200mm Rod



-----1

2mm Nut



-----1

3X3mm Screw



-----1

3X30mm screw



-----2

3mm rubber band



-----7

3X14mm screw



-----5

3mm Washer



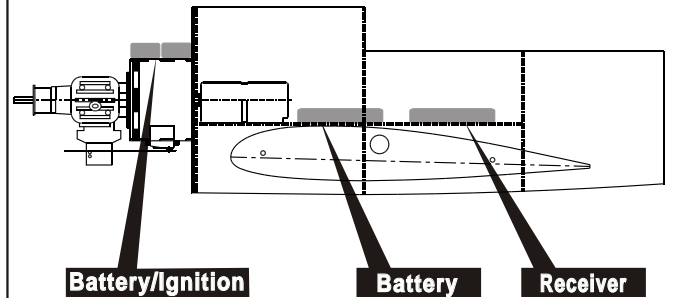
-----7

2.3X10mm Tp screw



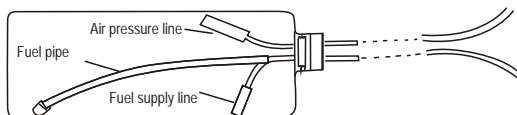
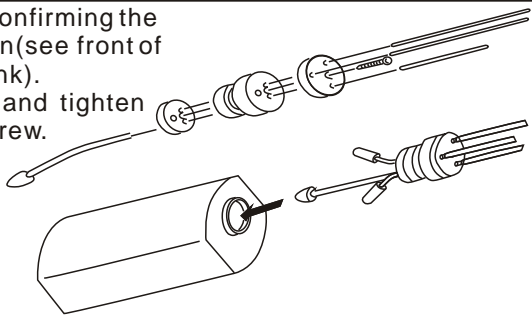
-----8

28 Radio Equipment



26 Assembly of the full tank

After confirming the position (see front of fuel tank). Insert and tighten the screw.



29 Install the thr cowling

3X14mm screw



-----5

3mm Washer

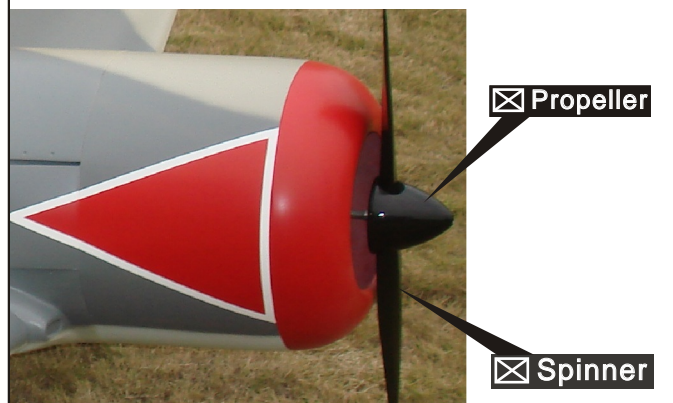


-----5

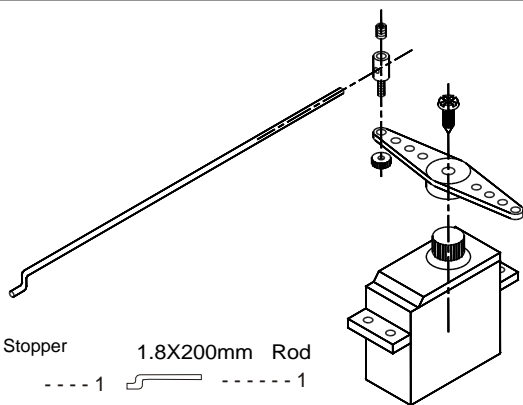
3mm rubber band



-----5



27 Install the throttle servo



Linkage Stopper



-----1

1.8X200mm Rod



-----1

2mm Nut



-----1

3X3mm Screw



-----1

30 Install the canopy

Cut away the surplus parts of canopy, carefully along the shaded line.



3X30mm screw



-----2

3mm Washer



-----2

3mm rubber band



-----2

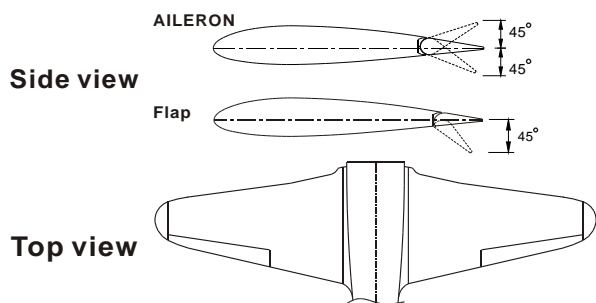
2.3X10mm Tp screw



-----8

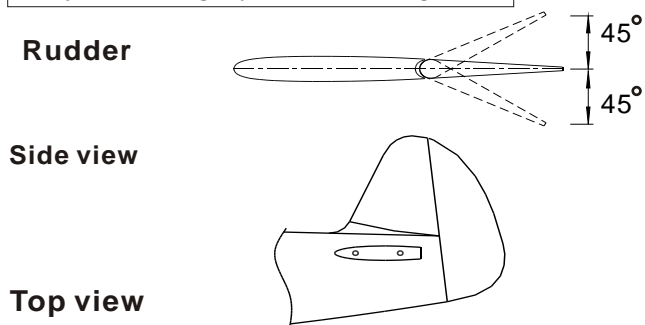
31 Adjustment.

Adjust the travel of each control surface to the values in the diagrams.
These values fit general flight capabilities.
Readjust according to your needs and flight level.



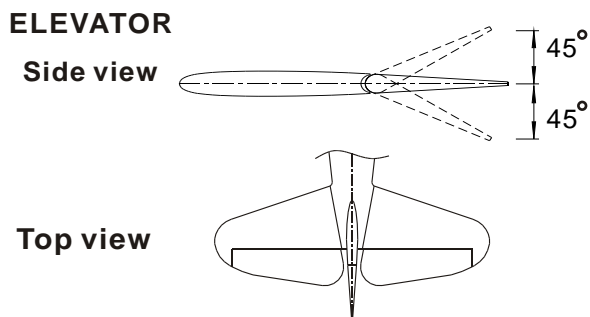
33 Adjustment

Adjust the travel of each control surface to the values in the diagrams.
These values fit general flight capabilities.
Readjust according to your needs and flight level.



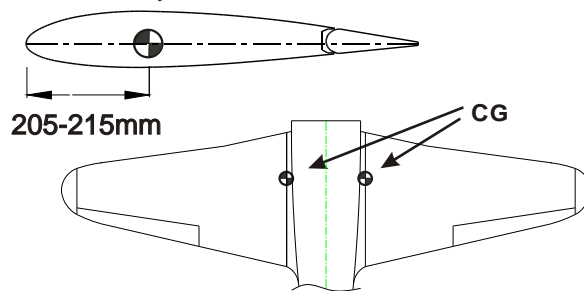
32 Adjustment.

Adjust the travel of each control surface to the values in the diagrams.
These values fit general flight capabilities.
Readjust according to your needs and flight level.



34 Adjustment.

Never fly before checking the Cg's required position.
In order to obtain the CG specified, reposition the receiver and battery.



警告
Warning!

NEVER fly the model without well balancing.