

Thank you for choosing CYmodel  
Global : [www.cymodel.com](http://www.cymodel.com)  
Australia : [www.austars-model.com](http://www.austars-model.com)  
Italia : [www.biellaexpress.com](http://www.biellaexpress.com)

# Nieuport XXIV

Item Nr: CY8002



## Instruction Manual

Before commencing assembly, please read these instructions thoroughly.

**ALMOST - READY - TO - FLY**



### SAFETY PRECAUTIONS

This radio control model is not a toy!


- First-time builders should seek advice from people having building experience in order to assemble the model correctly and to produce its performance to full extent.
- Assemble this kit only in places out of childrens reach!
- Take enough safety precautions prior to operating this model. You are responsible for this model's assembly and safe operation!
- Always keep this instruction manual ready at hand for quick reference, even after completing the assembly.
- Could cause serious injury or even death

### SPECIFICATION

Wing Span: 1780 mm (70in)  
Wing Area: 51 dm<sup>2</sup> (790 sq.in)  
Fuselage Length: 1400 mm (55 in)  
Engine : 20-30cc gas engine  
Radio : 4 channels ,5 servos

# REQUIRED FOR OPERATION (Purchase separately)

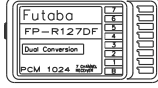
- 1** A minimum 4channel radio for airplanes (with 5servos).  
And dry batteries.

 **CAUTION:** Only use a minimum 4channel radio for airplanes! (No other radio may be used!)

A minimum 4 channel transmitter for airplanes.



12 AA-size Batteries




receiver



remote control

For handing the radio properly, refer to its instruction manual.

- 2** Battery (need 2)  Switch (need 2) 

- 3** Servo(need 5 servos) 

- 4** Engine and Muffler  
Model Airplane engine:26cc gas engine

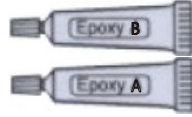




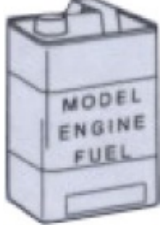
Muffler



Ignition

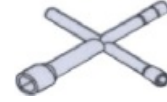


- 5** Glue    
Epoxy Glue Instant glue

- 6** required for engine starting  **WARNING:** Normal gasoline cannot be used with glow engines.   
Glow engine fuel only.



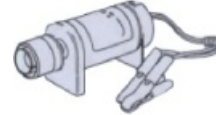
Fuel Pump



Plug Wrench

- 7** Silicone Tube  Fuel Filter 


- 8** Other equipment for enhancing airplane operation & performance



Engine Starter



12V Battery (for starter)

- 9** Purchase a propeller that will match your engine 

# TOOLS REQUIRED ( Purchase separately)

Sharp Hobby Knife



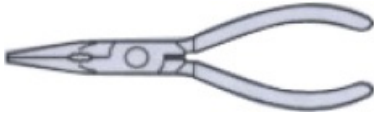
Phillips Screw Driver



Awl



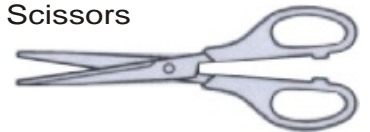
Needle Nose Pliers



Wire Cutters





Scissors





# BEFORE YOU BEGIN


- 1 . Read through the manual before you begin ,so you will have an overall idea of what to do.
- 2 . Check all parts .if you find any defective or missing parts .contact your local dealer.
- 3 Symbols used throughout this instruction manual,comprise.


 Apply epoxy glue.

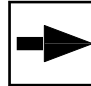
 Drill holes with the specified Diameter(here:2mm)

 Must be purchased separately!


 **Warning!**


 Apply instant glue (CA glue,super glue).


 Ensure smooth non-binding movement while assembling.

 Pay close attention here!

Do not overlook this symbol.

 Assemble left and right Sides the same way.

 Cut off shaded portion.

 Cut off excess.



## Accessory list for this page.

Horn



----- 2



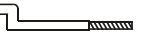
----- 2

2x30mm Screw



----- 6

1.8X85mm rod



----- 4

2.6X12mm Tp screw



----- 8

Connecting rod head



----- 2

Rod adjuster



----- 2

2x8mm Screw



----- 2

Hinge

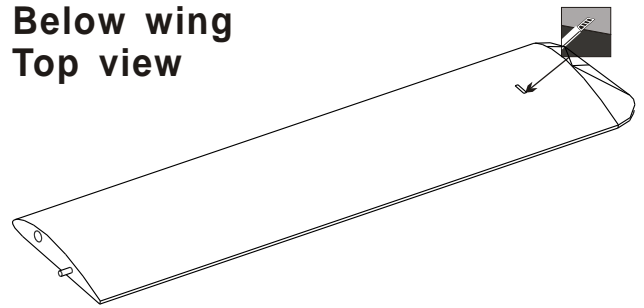


----- 6

# 3

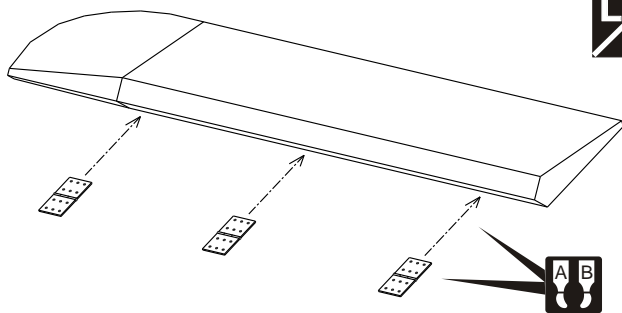
## Install the aileron

Below wing  
Top view



# 1

## Install the aileron



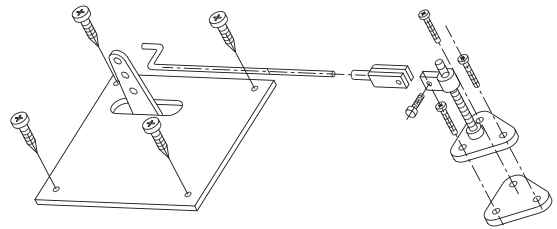
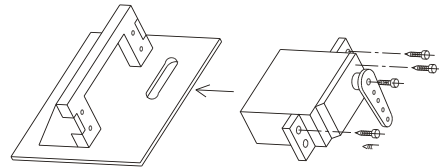
make sure hinges are mounted in the same line



Hinge ----- 6

# 4

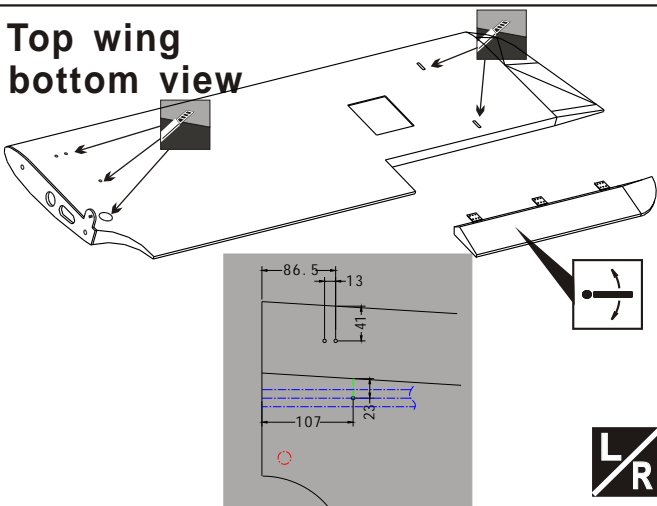
## Install the aileron servo



# 2

## Install the aileron

Top wing  
bottom view



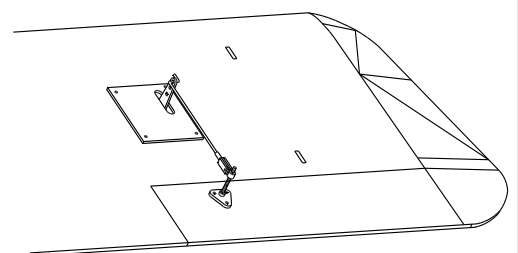
# 5

## Install the aileron servo



Top wing

- Horn ----- 2
- 2
- 2x30mm Screw ----- 6
- 1.8X85mm rod ----- 4
- 2.6X12mm Tp screw ----- 8
- Connecting rod head ----- 2
- Rod adjuster ----- 2
- 2x8mm Screw ----- 2





## Accessory list for this page.

2.1mm Collar



---- 2

2.1mm Nylon collar



---- 1

3X3mm screw



---- 1

3X12 Tp screw

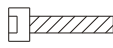


---- 3



---- 1

4x25mm screw



---- 4

4mm Washer



---- 4

35mm wheel



---- 1

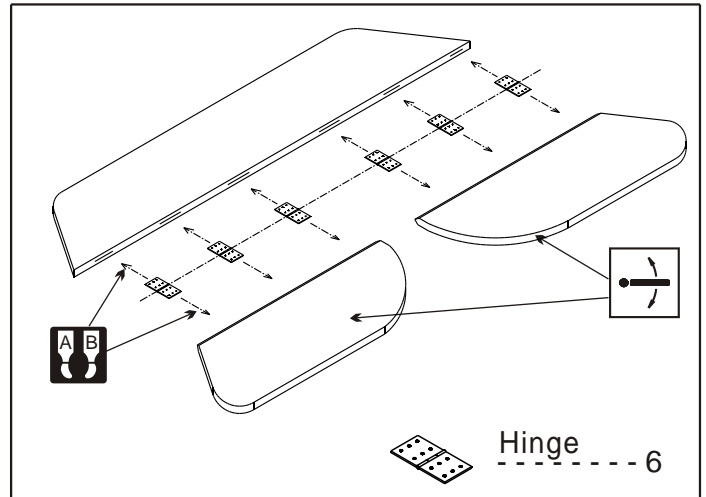


Hinge

---- 6

# 8

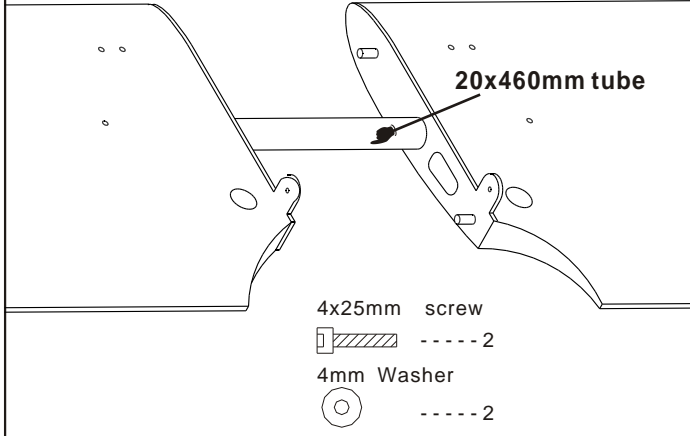
## Install the elevator



# 6

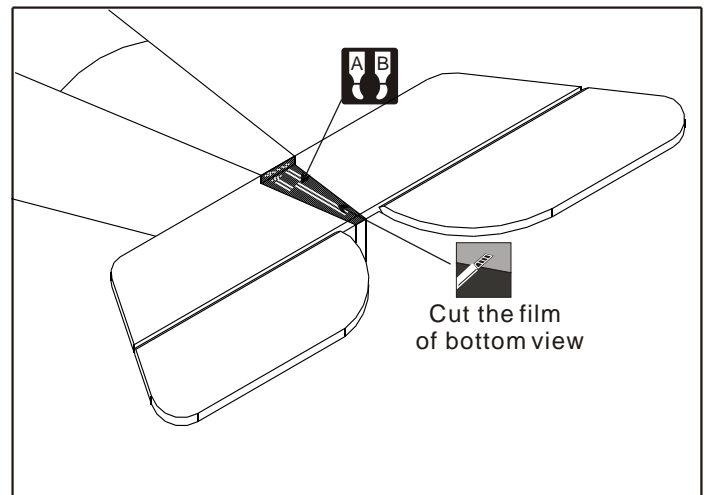
## Top wing

### bottom view



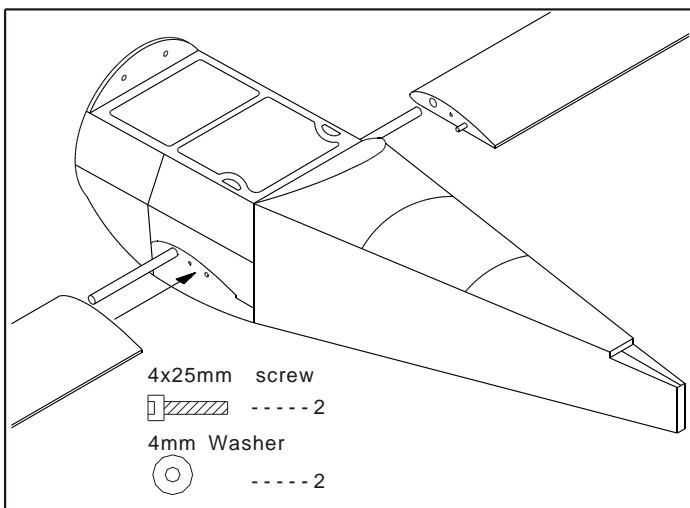
# 9

## Install the elevator



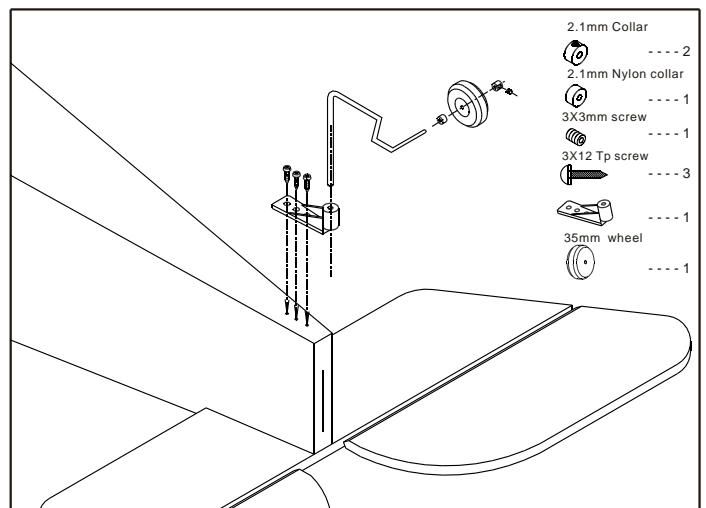
# 7

## Below wing



# 10

## Install the tail wheel and rudder





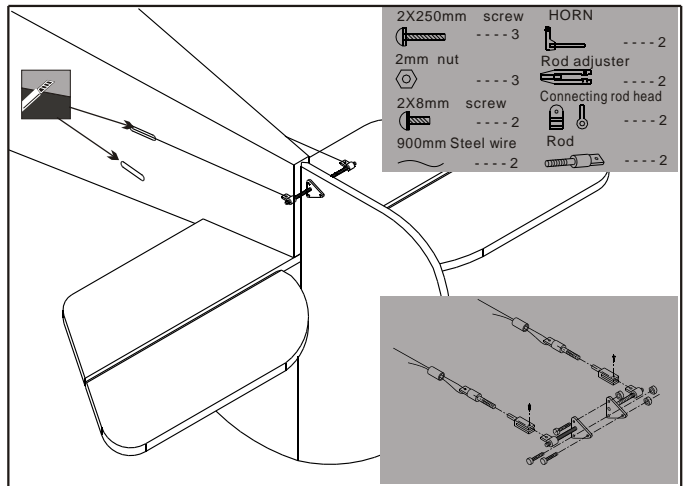
## Accessory list for this page.

2x16mm Screw		-----	4
1.8X85mm rod		-----	1
1.8X280mm rod		-----	1
1.8X290mm rod		-----	1
900mm Steel wire		-----	2
Rod		-----	2
Hinge		-----	2

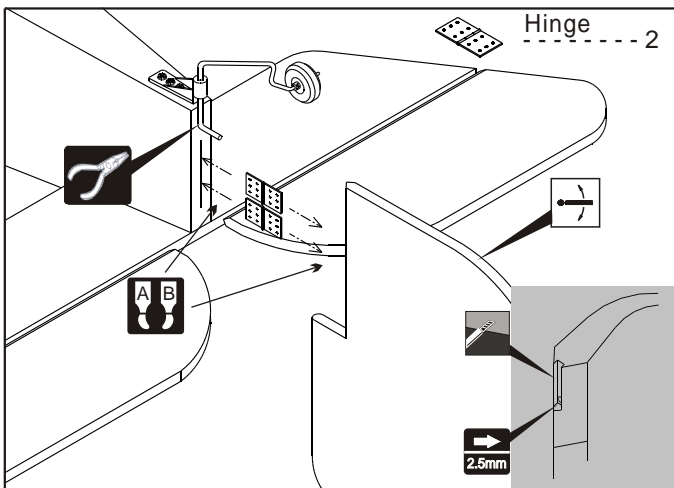
  

	-----	2
	-----	2
	-----	2
	-----	2
	-----	2
	-----	2
	-----	4
	-----	3
	-----	3
	-----	3

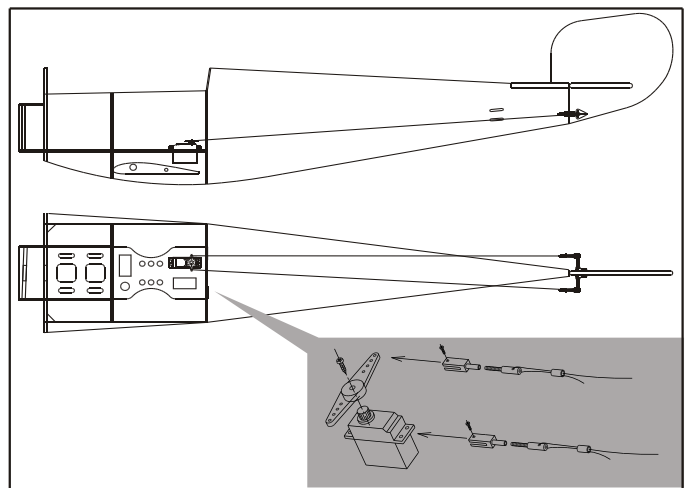
## 13 Install the rudder servo



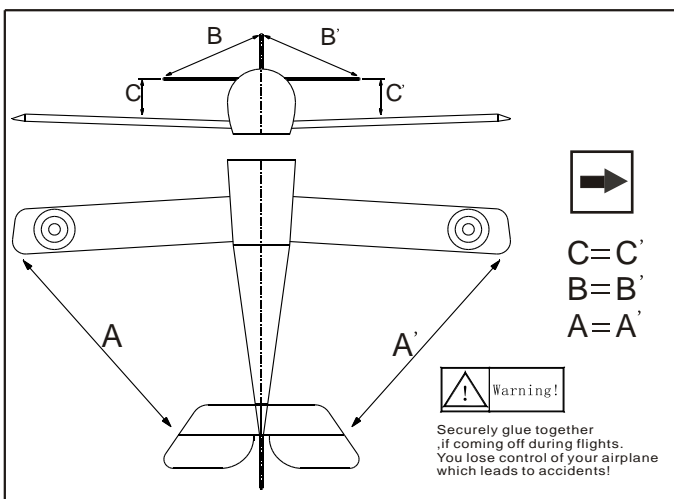
## 11 Install the tail wheel and rudder



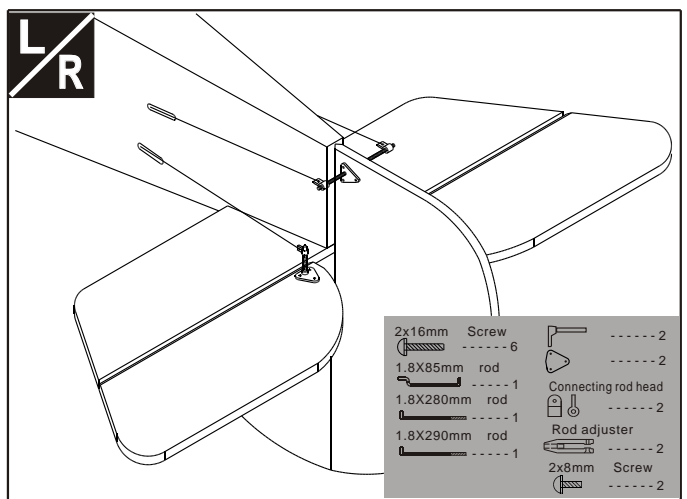
## 14 Install the rudder servo



## 12 Main wing&Horizontal/Vertical tail



## 15 Install the elevator servo







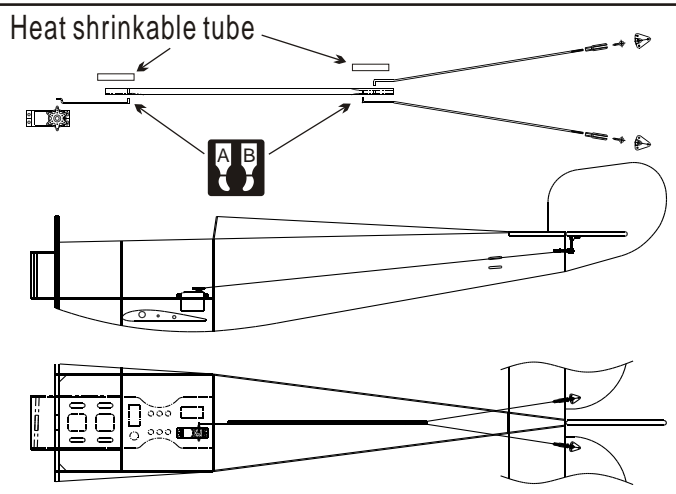
## Accessory list for this page.

Pressure plate	3X16mm screw
----- 4	----- 16
3X12mm Tp screw	3X30mm screw
----- 8	----- 4
4.2mm Collar	3mm Lock nut
----- 2	----- 3
4.2mm Nylon collar	3X20mm screw
----- 2	----- 2
3X3mm screw	3mm nut
----- 2	----- 6

## 18 Install the main landing gear



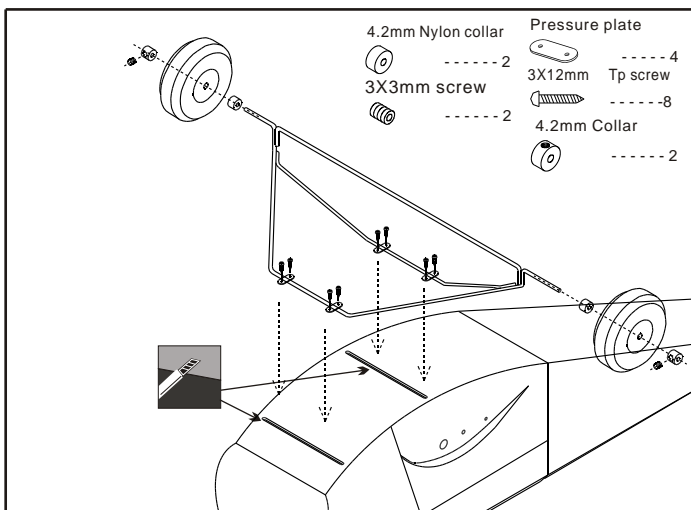
## 16 Install the elevator servo



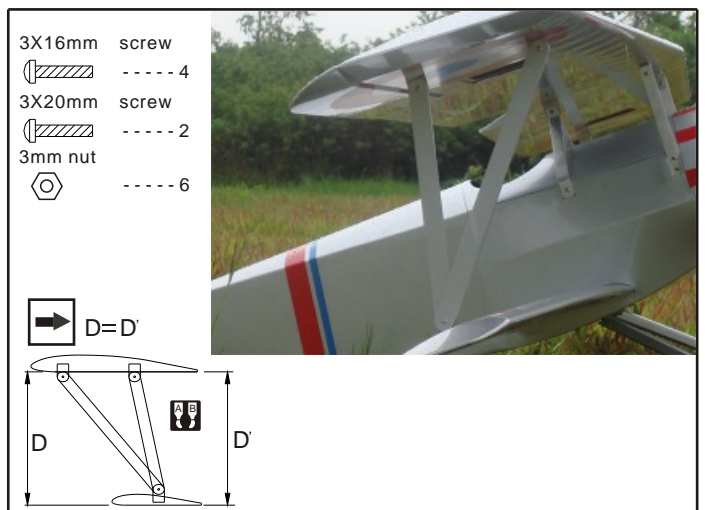
## 19 Install the top wing



## 17 Install the main landing gear



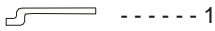
## 20 Install the top wing





## Accessory list for this page.

1.8X290mm Rod



3X3mm Screw



Linkage Stopper



2mm Nut



3X25mm screw



3mm Washer

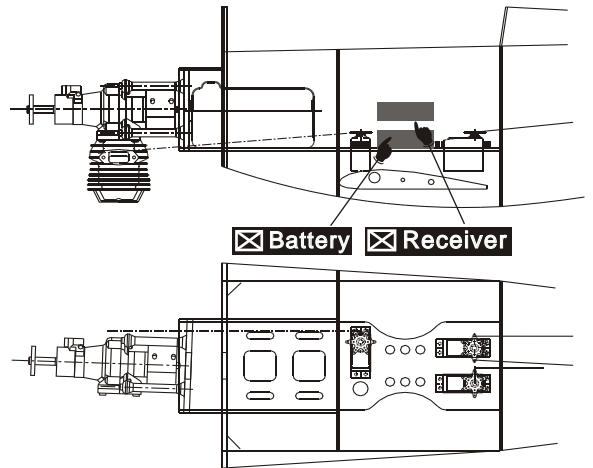


2.6X12mm Tp screw



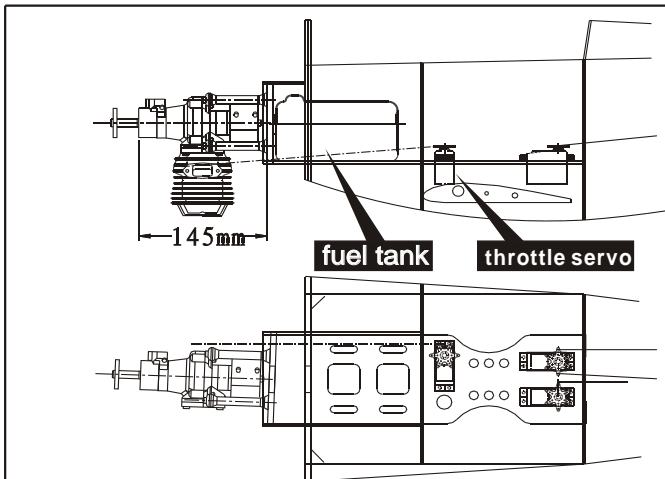
# 23

## Radio Equipment Assembly of the full tank



# 21

## Install the engine (20-30cc)



# 21

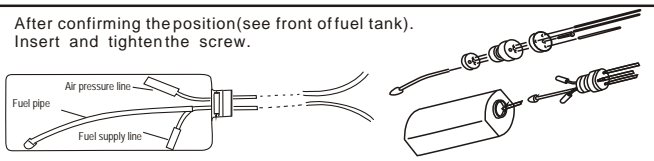
## Install the cowling



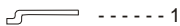
# 22

## Install the throttle servo and full tank

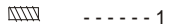
After confirming the position(see front of fuel tank).  
Insert and tighten the screw.



1.8X290mm Rod



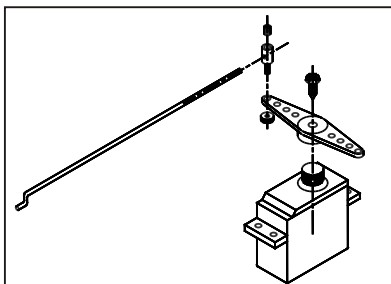
3X3mm Screw



Linkage Stopper

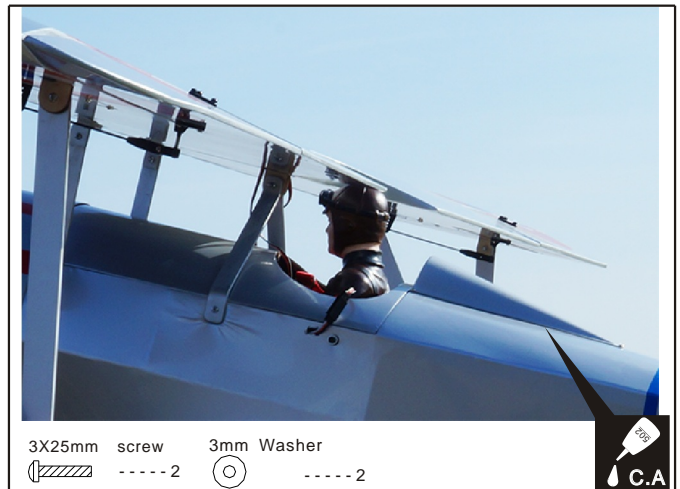


2mm Nut

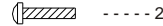


# 25

## Install the canopy



3X25mm screw



3mm Washer

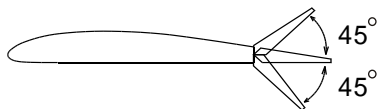


## 26 Adjustment.

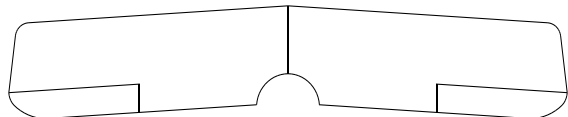
Adjust the travel of each control surface to the values in the diagrams.  
These values fit general flight capabilities.  
Readjust according to your needs and flight level.

### AILERON

Side view



Top view

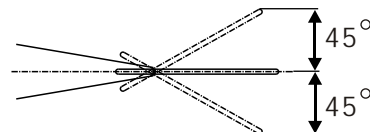


## 27 Adjustment

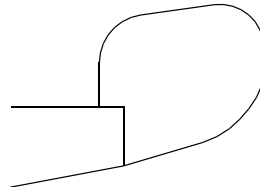
Adjust the travel of each control surface to the values in the diagrams.  
These values fit general flight capabilities.  
Readjust according to your needs and flight level.

### Rudder

Side view



Top view

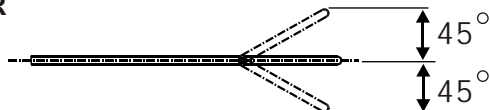


## 28 Adjustment.

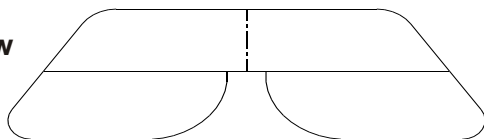
Adjust the travel of each control surface to the values in the diagrams.  
These values fit general flight capabilities.  
Readjust according to your needs and flight level.

### ELEVATOR

Side view

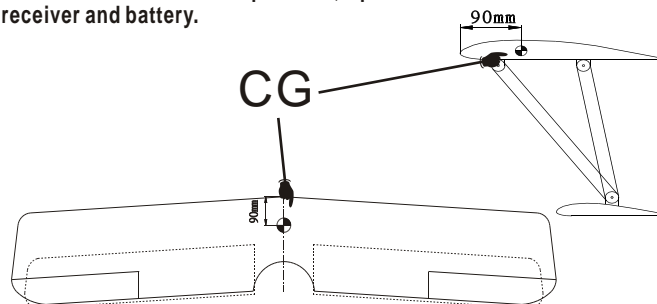


Top view



## 29 Adjustment.

Never fly before checking the Cg's required position.  
In order to obtain the CG specified, reposition the receiver and battery.



3/4 - ⚠  
Warning!

**NEVER fly the model without well balancing.**